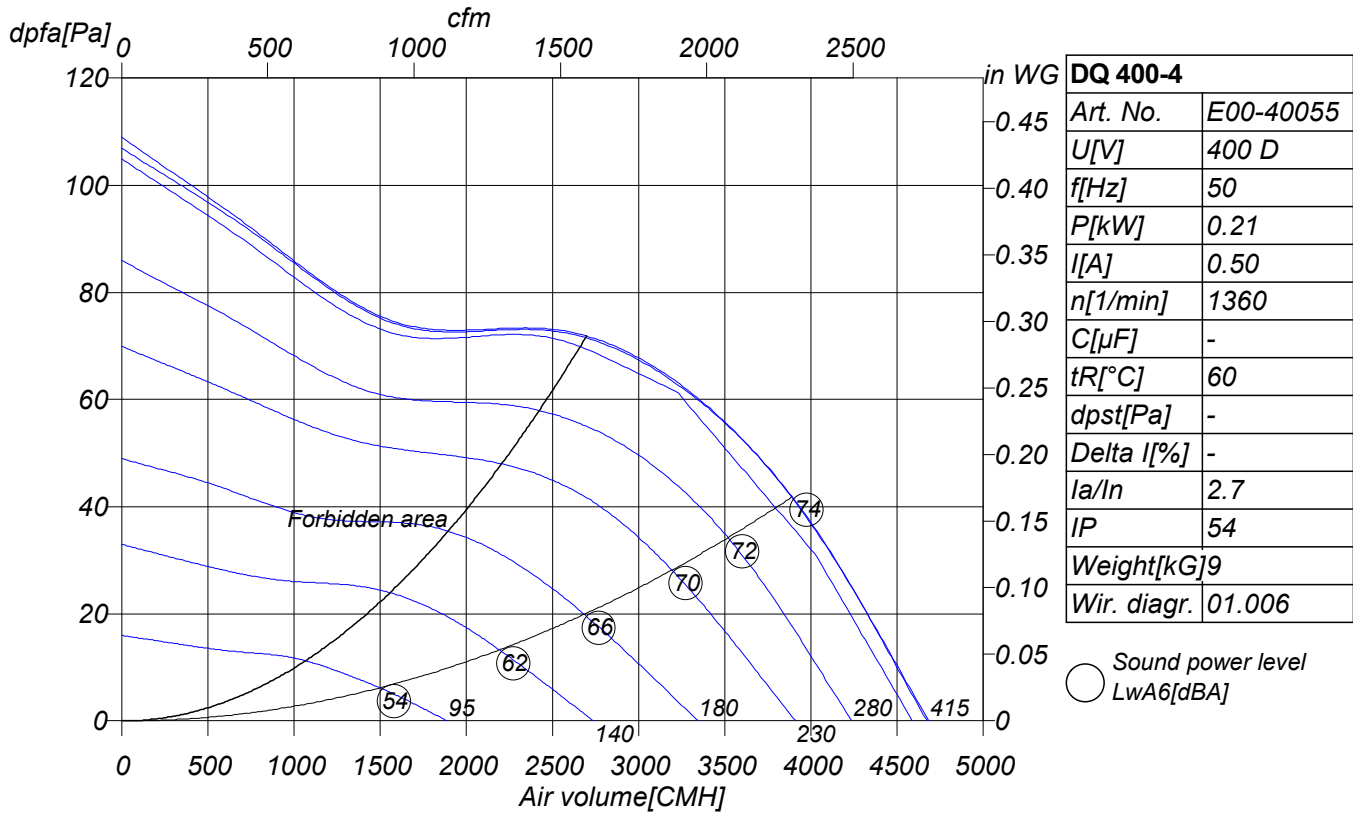
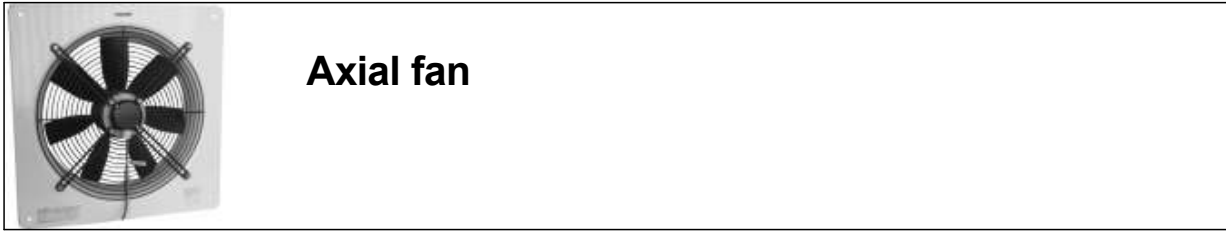


Monday, 30.June 2008



Octave sound power level

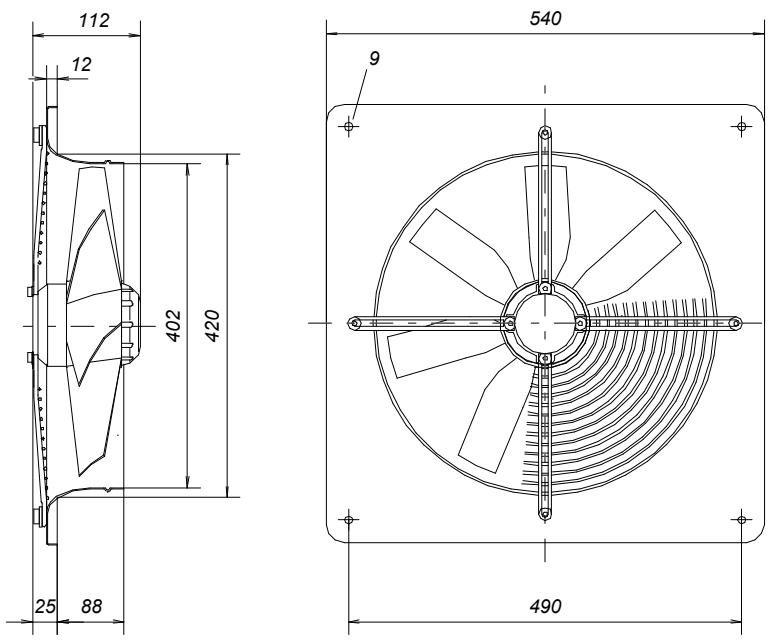
f[Hz]	125	250	500	1000	2000	4000	8000
LwA6[dBA]:	-19	-14	-5	-5	-4	-8	-17

Monday, 30.June 2008



Axial fan

DQ 400-4



Monday, 30.June 2008

Pos.	Pieces	Description	Price
		<p><i>Rosenberg high efficiency axial fans in low pressure execution</i></p> <p><i>Casing made from galvanized and plastic-coated steel, EQ/DQ series plate mounted, ER/DR series short cased with two flanges.</i></p> <p><i>Impellers with aerodynamically shaped blades, up to size 300 made from galvanized steel, from size 315 up to size 630-6 made from plastic, from size 630-4 from die-cast aluminium, mounted onto a speed controllable external rotor motor. The fan is balanced on two levels according to quality level G 2.5 DIN/ISO 1940.</i></p> <p><i>Closed motor, protection class IP 44/54 with protection against humidity and thermal contacts wired in windings for motor protection from size 315.</i></p> <p><i>Maintenance free ball bearings closed on both sides, sealed for life. Electrical connection through terminal box (not connected) in IP 44.</i></p> <p><i>Documentation: Manufacturers declaration and operating instruction are according to machinery directive 89/392/EEC, CE identification in accordance to EMC-directive 89/336/EEC and low voltage directive 73/23/EEC. Motor operating instruction are available from motor manufacturer.</i></p> <p>Nominal data</p> <p>Type DQ 400-4 Article no. E00-40055 Voltage[V] 400 D Frequency[Hz] 50 Power P1[kW] 0.21 Current I[A] 0.50 Speed n[1/min] 1360 Capacitor C[µF] - Max. air temp.tR[°C] 60 Min. pressure dpst[Pa] - Delta I[%] - Startup current Ia/In 2.7 Protection-mode IP 54 Weight[kg] 9 wiring diagram 01.006</p>	

Monday, 30.June 2008



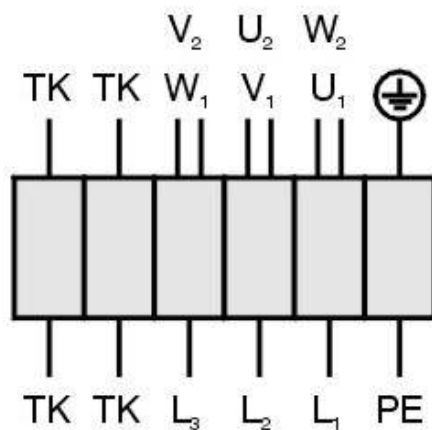
Axial fan

DQ 400-4

Drehstrommotor in Δ -Schaltung mit Thermokontakt.
 Drehrichtungsänderung durch Vertauschen von 2 Phasen.

Three phase motor in delta connection with thermal contact. Changing of rotation direction by interchanging of 2 phases.

Moteur triphasé branché en triangle avec thermocontact. Changement de sens de rotation par inversion de deux phases.



U ₁	braun / brown / brun
V ₁	blau / blue / bleu
W ₁	schwarz / black / noir
U ₂	rot / red / rouge
V ₂	grau / grey / gris
W ₂	orange / orange / orange
TK	weiß / white / blanc
PE	gelb-grün yellow-green jaun-vert

01.006

TK3-20004