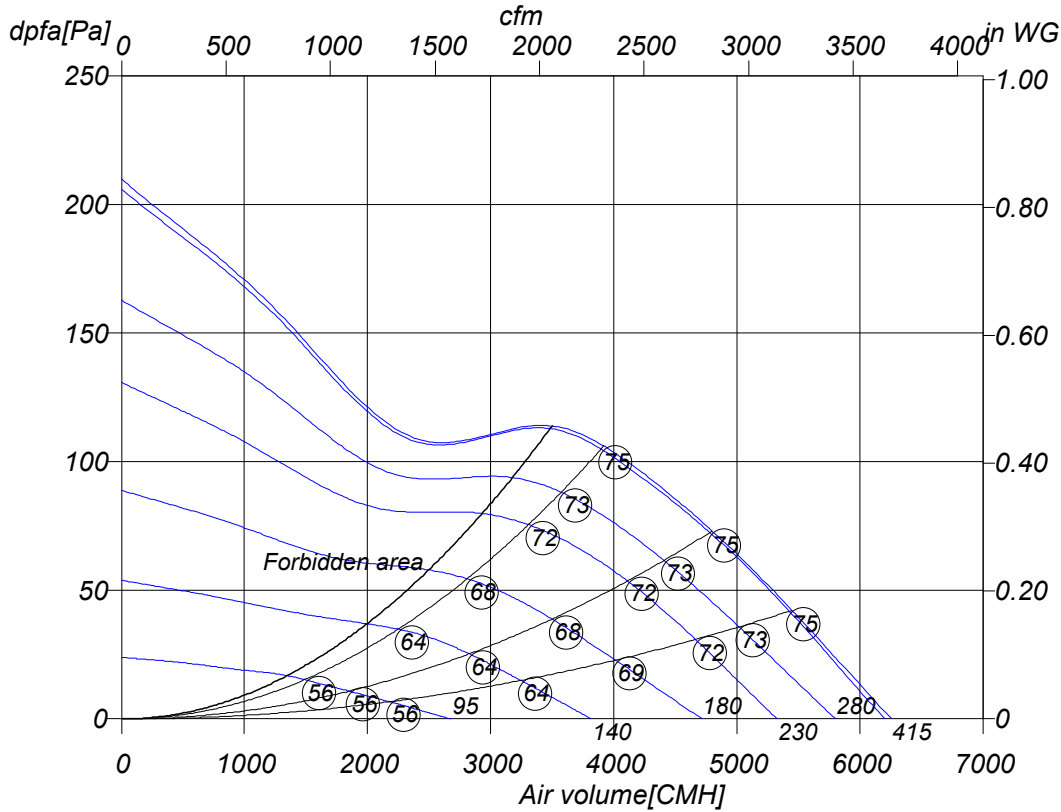


Monday, 30.June 2008



### Axial fan



<b>DQ 450-4</b>	
Art. No.	E00-45055
U[V]	400 D
f[Hz]	50
P[kW]	0.33
I[A]	0.75
n[1/min]	1390
C[μF]	-
tR[°C]	60
dpst[Pa]	-
Delta I[%]	5
Ia/In	1.8
IP	54
Weight[kG]	10
Wir. diagr.	01.006

○ Sound power level  
 LwA6[dBA]

#### Octave sound power level

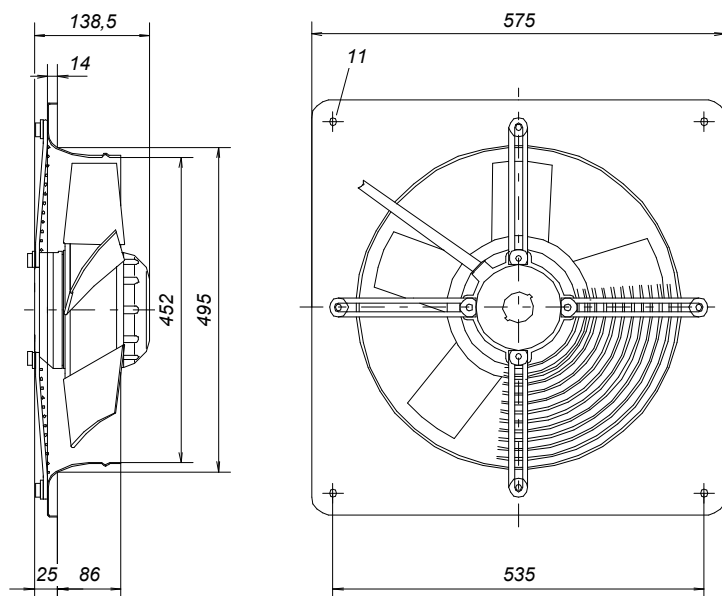
f[Hz]	125	250	500	1000	2000	4000	8000
LwA6[dBA]:	-19	-9	-6	-4	-3	-6	-13

Monday, 30.June 2008



**Axial fan**

**DQ 450-4**



Monday, 30.June 2008

Pos.	Pieces	Description	Price
		<p><i>Rosenberg high efficiency axial fans in low pressure execution</i></p> <p><i>Casing made from galvanized and plastic-coated steel, EQ/DQ series plate mounted, ER/DR series short cased with two flanges.</i></p> <p><i>Impellers with aerodynamically shaped blades, up to size 300 made from galvanized steel, from size 315 up to size 630-6 made from plastic, from size 630-4 from die-cast aluminium, mounted onto a speed controllable external rotor motor. The fan is balanced on two levels according to quality level G 2.5 DIN/ISO 1940.</i></p> <p><i>Closed motor, protection class IP 44/54 with protection against humidity and thermal contacts wired in windings for motor protection from size 315.</i></p> <p><i>Maintenance free ball bearings closed on both sides, sealed for life. Electrical connection through terminal box (not connected) in IP 44.</i></p> <p><i>Documentation: Manufacturers declaration and operating instruction are according to machinery directive 89/392/EEC, CE identification in accordance to EMC-directive 89/336/EEC and low voltage directive 73/23/EEC. Motor operating instruction are available from motor manufacturer.</i></p> <p><b>Nominal data</b></p> <p>Type DQ 450-4  Article no. E00-45055  Voltage[V] 400 D  Frequency[Hz] 50  Power P1[kW] 0.33  Current I[A] 0.75  Speed n[1/min] 1390  Capacitor C[μF] -  Max. air temp.tR[°C] 60  Min. pressure dpst[Pa] -  Delta I[%] 5  Startup current Ia/In 1.8  Protection-mode IP 54  Weight[kg] 10  wiring diagram 01.006</p>	

Monday, 30.June 2008



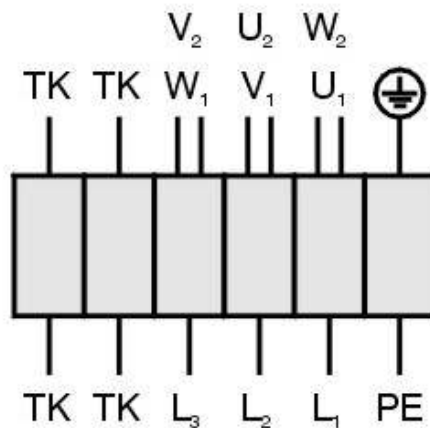
**Axial fan**

**DQ 450-4**

Drehstrommotor in  $\Delta$ -Schaltung mit Thermokontakt.  
 Drehrichtungsänderung durch Vertauschen von 2 Phasen.

**Three phase motor in delta connection with thermal contact. Changing of rotation direction by interchanging of 2 phases.**

*Moteur triphasé branché en triangle avec thermocontact. Changement de sens de rotation par inversion de deux phases.*



- U<sub>1</sub> braun / brown / brun
- V<sub>1</sub> blau / blue / bleu
- W<sub>1</sub> schwarz / black / noir
- U<sub>2</sub> rot / red / rouge
- V<sub>2</sub> grau / grey / gris
- W<sub>2</sub> orange / orange / orange
- TK weiß / white / blanc
- PE gelb-grün  
yellow-green  
jaun-vert

01.006

TK3-20004