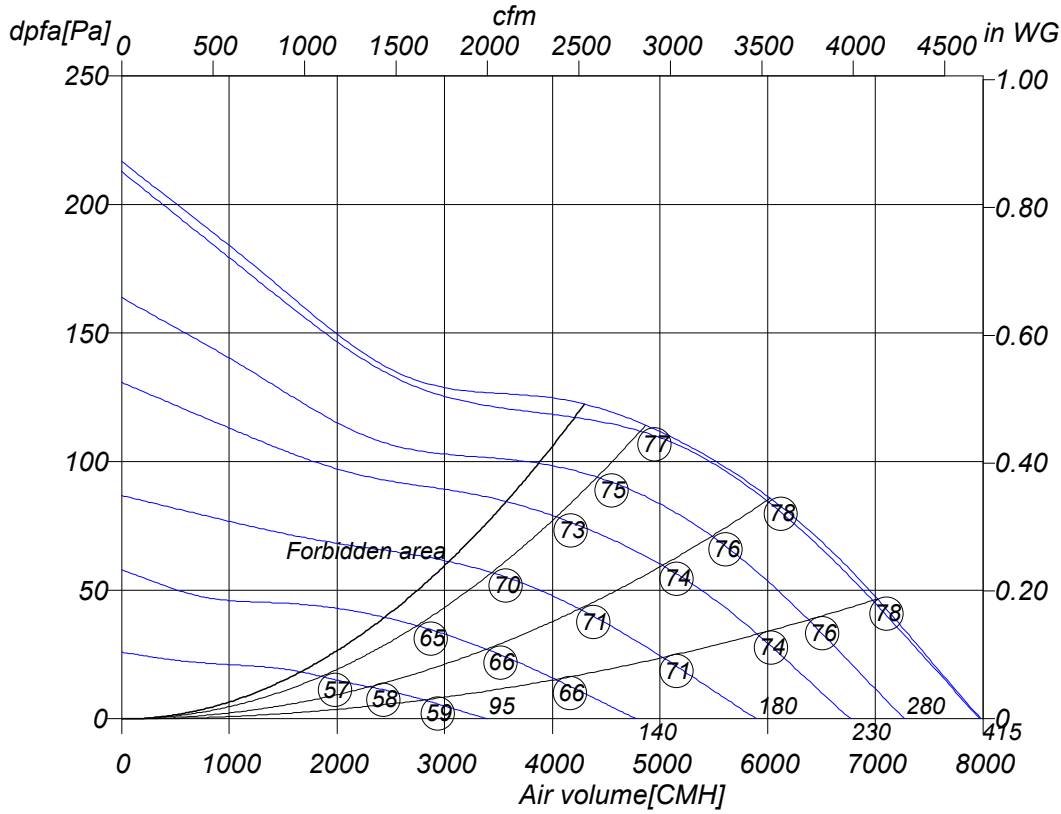


Monday, 30.June 2008



## Axial fan



DQ 500-4	
Art. No.	E00-50055
U[V]	400 D
f[Hz]	50
P[kW]	0.41
I[A]	1.0
n[1/min]	1370
C[μF]	-
tR[°C]	60
dpst[Pa]	-
Delta I[%]	-
Ia/In	3.5
IP	54
Weight[kG]	16
Wir. diagr.	01.006

○ Sound power level  
 LwA6[dBA]

### Octave sound power level

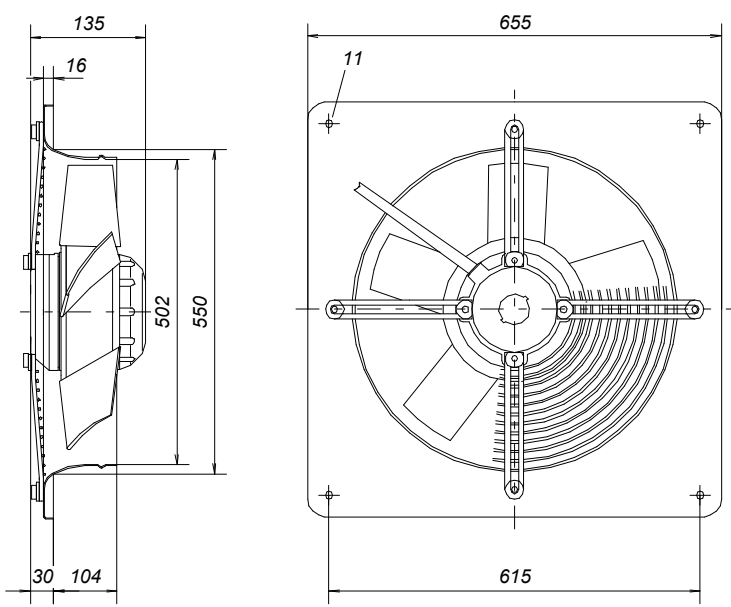
f[Hz]	125	250	500	1000	2000	4000	8000
LwA6[dBA]:	-20	-10	-5	-5	-5	-8	-14

Monday, 30.June 2008



**Axial fan**

**DQ 500-4**



Monday, 30.June 2008

Pos.	Pieces	Description	Price
		<p><i>Rosenberg high efficiency axial fans in low pressure execution</i></p> <p><i>Casing made from galvanized and plastic-coated steel, EQ/DQ series plate mounted, ER/DR series short cased with two flanges.</i></p> <p><i>Impellers with aerodynamically shaped blades, up to size 300 made from galvanized steel, from size 315 up to size 630-6 made from plastic, from size 630-4 from die-cast aluminium, mounted onto a speed controllable external rotor motor. The fan is balanced on two levels according to quality level G 2.5 DIN/ISO 1940.</i></p> <p><i>Closed motor, protection class IP 44/54 with protection against humidity and thermal contacts wired in windings for motor protection from size 315.</i></p> <p><i>Maintenance free ball bearings closed on both sides, sealed for life. Electrical connection through terminal box (not connected) in IP 44.</i></p> <p><i>Documentation:                      Manufacturers declaration and operating instruction are according to machinery directive 89/392/EEC, CE identification in accordance to EMC-directive 89/336/EEC and low voltage directive 73/23/EEC. Motor operating instruction are available from motor manufacturer.</i></p> <p><b>Nominal data</b></p> <p>Type DQ 500-4                      Article no. E00-50055                      Voltage[V] 400 D                      Frequency[Hz] 50                      Power P1[kW] 0.41                      Current I[A] 1.0                      Speed n[1/min] 1370                      Capacitor C[µF] -                      Max. air temp.tR[°C] 60                      Min. pressure dpst[Pa] -                      Delta I[%] -                      Startup current Ia/In 3.5                      Protection-mode IP 54                      Weight[kg] 16                      wiring diagram 01.006</p>	

Monday, 30.June 2008



**Axial fan**

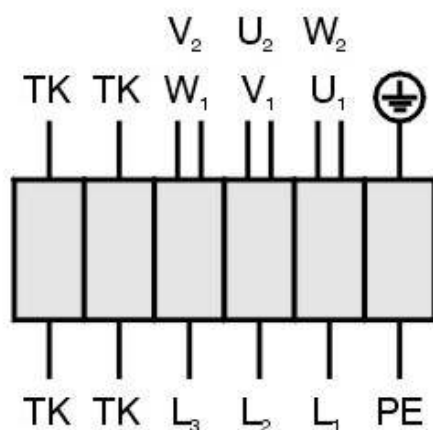
**DQ 500-4**

Drehstrommotor in  $\Delta$ -Schaltung mit Thermokontakt.  
 Drehrichtungsänderung durch Vertauschen von 2 Phasen.

**Three phase motor in delta connection with thermal contact. Changing of rotation direction by interchanging of 2 phases.**

*Moteur triphasé branché en triangle avec thermocontact. Changement de sens de rotation par inversion de deux phases.*

TK3-20004



- U<sub>1</sub> braun / brown / brun
- V<sub>1</sub> blau / blue / bleu
- W<sub>1</sub> schwarz / black / noir
- U<sub>2</sub> rot / red / rouge
- V<sub>2</sub> grau / grey / gris
- W<sub>2</sub> orange / orange / orange
- TK weiß / white / blanc
- PE gelb-grün  
 yellow-green  
 jaun-vert

01.006