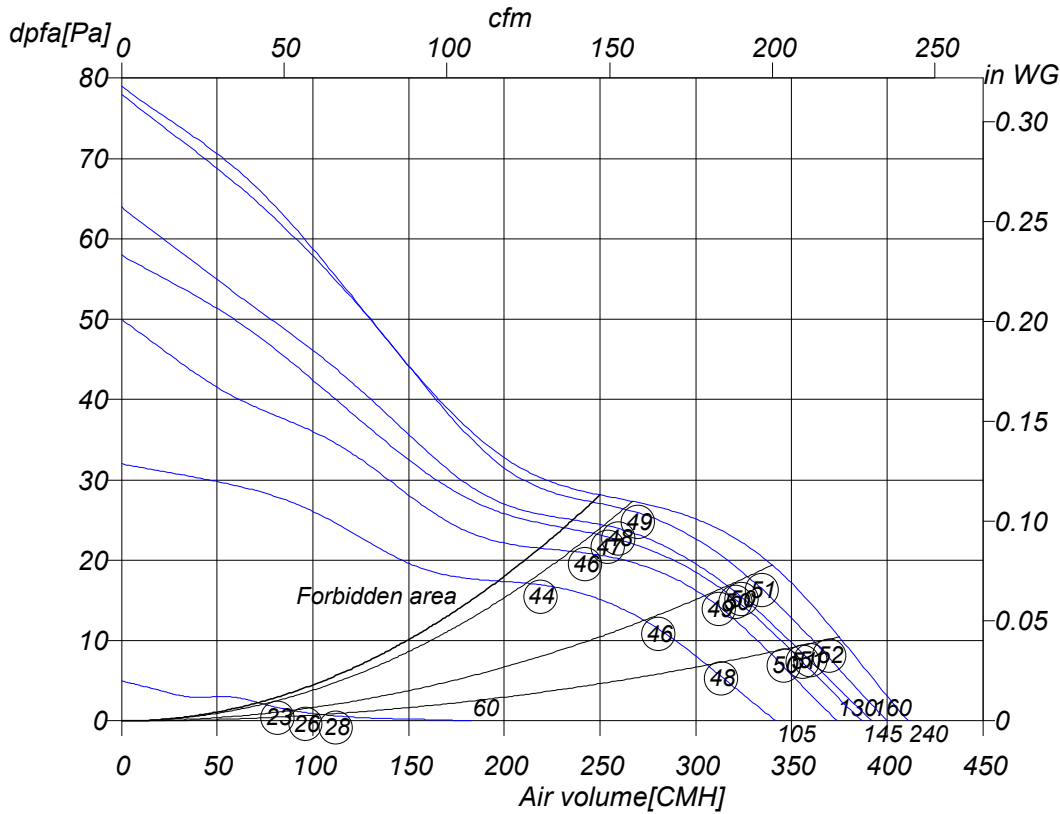
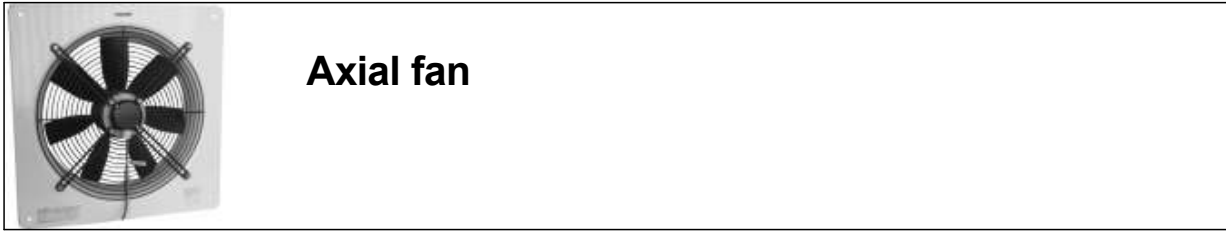


Monday, 30.June 2008



EQ 200-4	
Art. No.	E00-20000
U[V]	230
f[Hz]	50
P[kW]	0.033
I[A]	0.15
n[1/min]	1410
C[μF]	1.5
tR[°C]	70
dpst[Pa]	-
Delta I[%]	-
Ia/In	1.5
IP	44
Weight[kG]	3.5
Wir. diagr.	01.009

○ Sound power level
 LwA6[dBA]

Octave sound power level

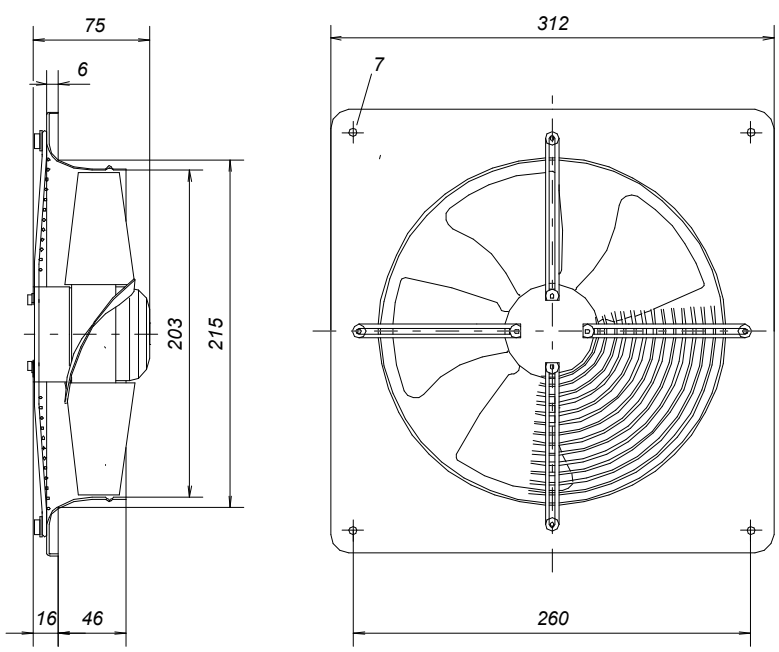
f[Hz]	125	250	500	1000	2000	4000	8000
LwA6[dBA]:	-13	-10	-4	-3	-4	-9	-21

Monday, 30.June 2008



Axial fan

EQ 200-4



Monday, 30.June 2008

Pos.	Pieces	Description	Price
		<p><i>Rosenberg high efficiency axial fans in low pressure execution</i></p> <p><i>Casing made from galvanized and plastic-coated steel, EQ/DQ series plate mounted, ER/DR series short cased with two flanges.</i></p> <p><i>Impellers with aerodynamically shaped blades, up to size 300 made from galvanized steel, from size 315 up to size 630-6 made from plastic, from size 630-4 from die-cast aluminium, mounted onto a speed controllable external rotor motor. The fan is balanced on two levels according to quality level G 2.5 DIN/ISO 1940.</i></p> <p><i>Closed motor, protection class IP 44/54 with protection against humidity and thermal contacts wired in windings for motor protection from size 315.</i></p> <p><i>Maintenance free ball bearings closed on both sides, sealed for life. Electrical connection through terminal box (not connected) in IP 44.</i></p> <p><i>Documentation: Manufacturers declaration and operating instruction are according to machinery directive 89/392/EEC, CE identification in accordance to EMC-directive 89/336/EEC and low voltage directive 73/23/EEC. Motor operating instruction are available from motor manufacturer.</i></p> <p>Nominal data</p> <p>Type EQ 200-4 Article no. E00-20000 Voltage[V] 230 Frequency[Hz] 50 Power P1[kW] 0.033 Current I[A] 0.15 Speed n[1/min] 1410 Capacitor C[μF] 1.5 Max. air temp.tR[°C] 70 Min. pressure dpst[Pa] - Delta I[%] - Startup current Ia/In 1.5 Protection-mode IP 44 Weight[kg] 3.5 wiring diagram 01.009</p>	

Monday, 30.June 2008



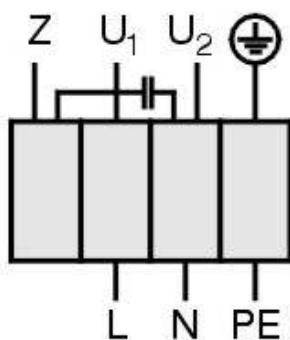
Axial fan

EQ 200-4

Einphasenwechselstrommotor mit Betriebskondensator und Thermokontakt.
Thermokontakt mit der Wicklung in Reihe geschaltet.

Single phase A.C. motor with operating capacitor and thermal contact.
Thermal contact wired in series with windings.

*Moteur monophasé avec condensateur permanent et thermovontact branché
en série avec le bobinage en cas de branchement*



U₁ blau / blue / bleu
U₂ schwarz / black / noir
Z braun / brown / brun
PE gelb-grün
yellow-green
jaun-vert

01.009

TK3-20005