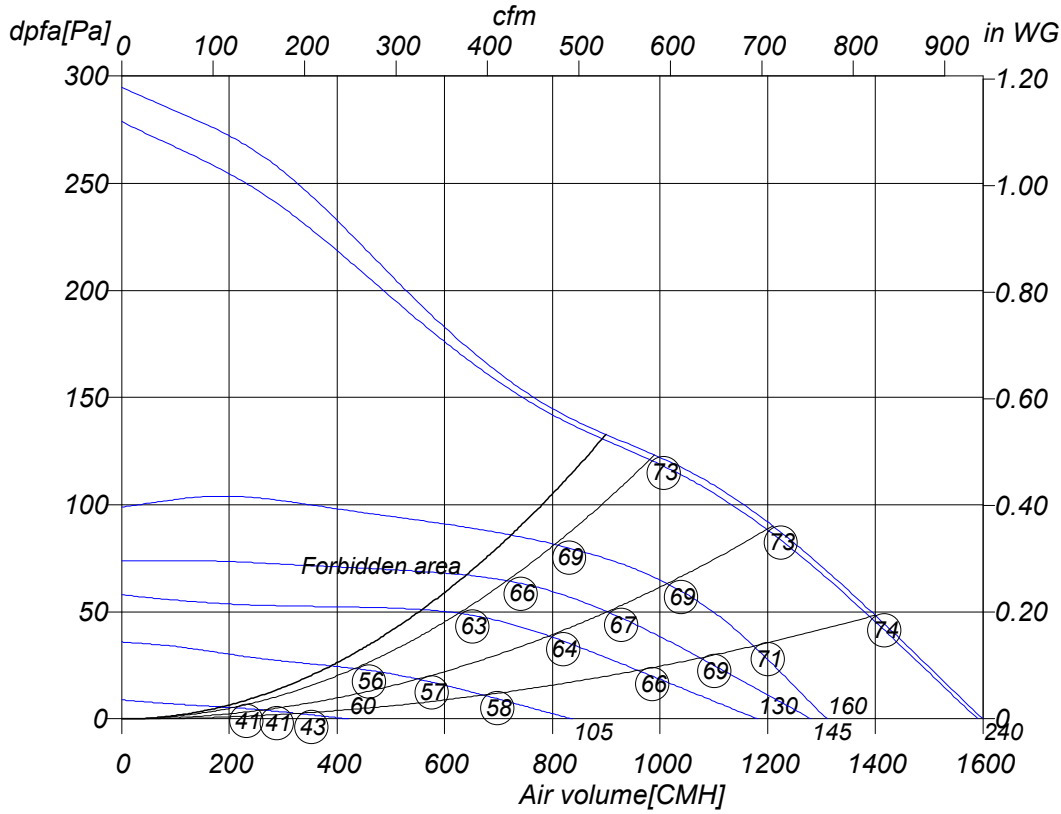


Monday, 30.June 2008



EQ 250-2	
Art. No.	E00-25001
U[V]	230
f[Hz]	50
P[kW]	0.14
I[A]	0.6
n[1/min]	2600
C[μF]	4
tR[°C]	60
dpst[Pa]	-
Delta I[%]	-
Ia/In	1.8
IP	44
Weight[kG]	4.5
Wir. diagr.	01.009

○ Sound power level  
 LwA6[dBA]

**Octave sound power level**

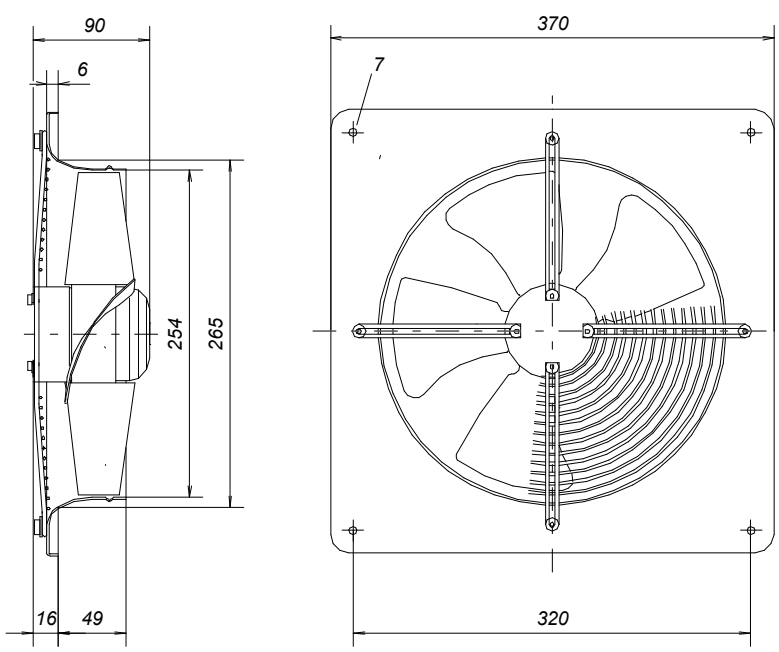
f[Hz]	125	250	500	1000	2000	4000	8000
LwA6[dBA]:	-26	-10	-4	-5	-6	-8	-15

Monday, 30.June 2008



**Axial fan**

**EQ 250-2**



Monday, 30.June 2008

Pos.	Pieces	Description	Price																														
		<p><i>Rosenberg high efficiency axial fans in low pressure execution</i></p> <p><i>Casing made from galvanized and plastic-coated steel, EQ/DQ series plate mounted, ER/DR series short cased with two flanges.</i></p> <p><i>Impellers with aerodynamically shaped blades, up to size 300 made from galvanized steel, from size 315 up to size 630-6 made from plastic, from size 630-4 from die-cast aluminium, mounted onto a speed controllable external rotor motor. The fan is balanced on two levels according to quality level G 2.5 DIN/ISO 1940.</i></p> <p><i>Closed motor, protection class IP 44/54 with protection against humidity and thermal contacts wired in windings for motor protection from size 315.</i></p> <p><i>Maintenance free ball bearings closed on both sides, sealed for life. Electrical connection through terminal box (not connected) in IP 44.</i></p> <p><i>Documentation:                  Manufacturers declaration and operating instruction are according to machinery directive 89/392/EEC, CE identification in accordance to EMC-directive 89/336/EEC and low voltage directive 73/23/EEC. Motor operating instruction are available from motor manufacturer.</i></p>																															
		<p><b>Nominal data</b></p> <table> <tr> <td>Type</td> <td>EQ 250-2</td> </tr> <tr> <td>Article no.</td> <td>E00-25001</td> </tr> <tr> <td>Voltage[V]</td> <td>230</td> </tr> <tr> <td>Frequency[Hz]</td> <td>50</td> </tr> <tr> <td>Power P1[kW]</td> <td>0.14</td> </tr> <tr> <td>Current I[A]</td> <td>0.6</td> </tr> <tr> <td>Speed n[1/min]</td> <td>2600</td> </tr> <tr> <td>Capacitor C[µF]</td> <td>4</td> </tr> <tr> <td>Max. air temp.tR[°C]</td> <td>60</td> </tr> <tr> <td>Min. pressure dpst[Pa]</td> <td>-</td> </tr> <tr> <td>Delta I[%]</td> <td>-</td> </tr> <tr> <td>Startup current Ia/In</td> <td>1.8</td> </tr> <tr> <td>Protection-mode</td> <td>IP 44</td> </tr> <tr> <td>Weight[kg]</td> <td>4.5</td> </tr> <tr> <td>wiring diagram</td> <td>01.009</td> </tr> </table>	Type	EQ 250-2	Article no.	E00-25001	Voltage[V]	230	Frequency[Hz]	50	Power P1[kW]	0.14	Current I[A]	0.6	Speed n[1/min]	2600	Capacitor C[µF]	4	Max. air temp.tR[°C]	60	Min. pressure dpst[Pa]	-	Delta I[%]	-	Startup current Ia/In	1.8	Protection-mode	IP 44	Weight[kg]	4.5	wiring diagram	01.009	
Type	EQ 250-2																																
Article no.	E00-25001																																
Voltage[V]	230																																
Frequency[Hz]	50																																
Power P1[kW]	0.14																																
Current I[A]	0.6																																
Speed n[1/min]	2600																																
Capacitor C[µF]	4																																
Max. air temp.tR[°C]	60																																
Min. pressure dpst[Pa]	-																																
Delta I[%]	-																																
Startup current Ia/In	1.8																																
Protection-mode	IP 44																																
Weight[kg]	4.5																																
wiring diagram	01.009																																

Monday, 30.June 2008



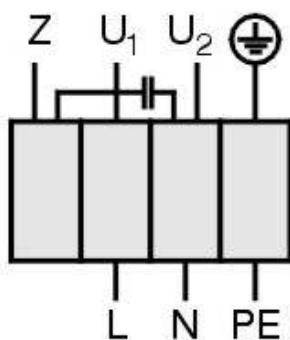
**Axial fan**

## EQ 250-2

Einphasenwechselstrommotor mit Betriebskondensator und Thermokontakt.  
Thermokontakt mit der Wicklung in Reihe geschaltet.

**Single phase A.C. motor with operating capacitor and thermal contact.  
Thermal contact wired in series with windings.**

***Moteur monophasé avec condensateur permanent et thermovontact branché  
en série avec le bobinage en cas de branchement***



U<sub>1</sub> blau / blue / bleu  
U<sub>2</sub> schwarz / black / noir  
Z braun / brown / brun  
PE gelb-grün  
yellow-green  
jaun-vert

01.009

TK3-20005