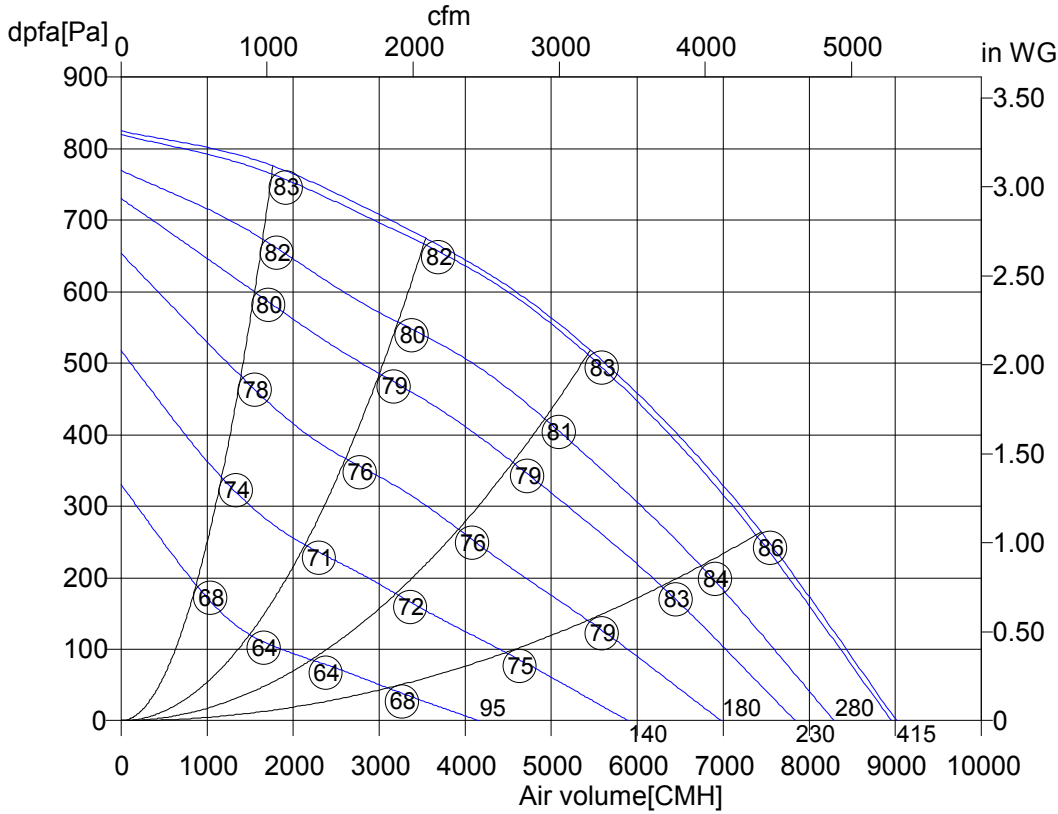


Monday, 08.February 2010



UNO-ME80-500-4D



UNO-ME80-500-4D	
Art. No.	
U[V]	400 D
f[Hz]	50
P[kW]	1.5
I[A]	3.0
n[1/min]	1380
C[μF]	-
tR[°C]	80
dpst[Pa]	-
Delta I[%]	14
Ia/In	4.9
IP	54
Weight[kG]	95
Wir. diagr.	01.006

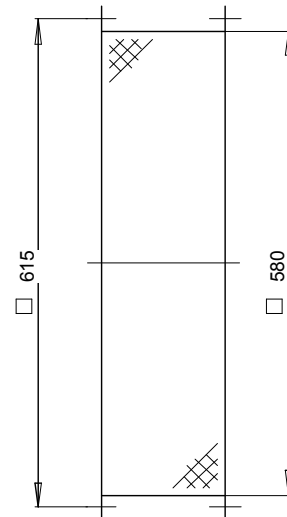
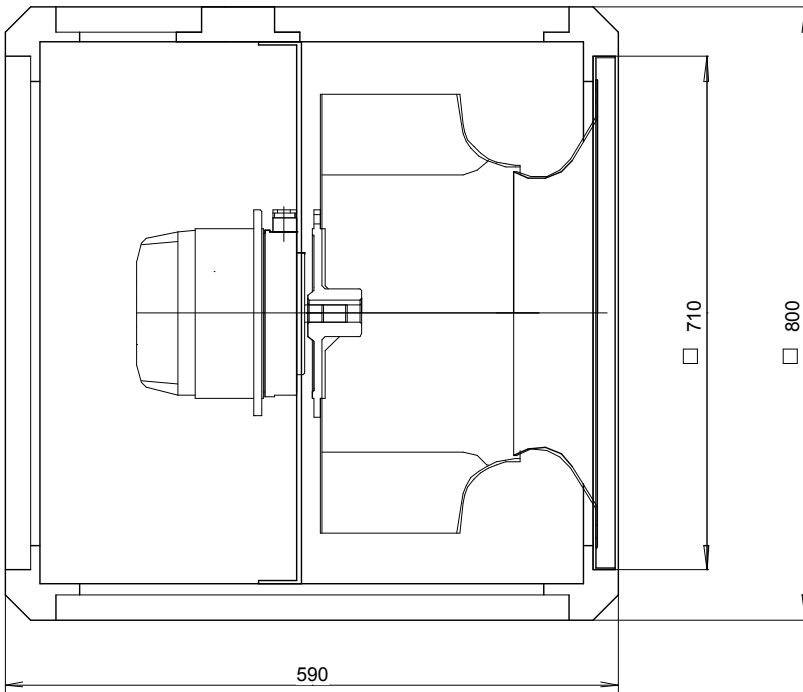
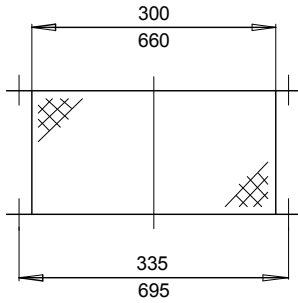
○ Sound power level
 LwA6[dBA]

Hint: Max. temp. 65°C with electr. control, max. ambient temp. 40°C

Monday, 08.February 2010



UNO-ME80-500-4D



Monday, 08.February 2010

Pos.	Pieces	Description	Price
		<p>Nominal data</p> <p>Type UNO-ME80-500-4D</p> <p>Article no.</p> <p>Voltage[V] 400 D</p> <p>Frequency[Hz] 50</p> <p>Power P1[kW] 1.5</p> <p>Current I[A] 3.0</p> <p>Speed n[1/min] 1380</p> <p>Capacitor C[µF] -</p> <p>Max. air temp.tR[°C] 80</p> <p>Min. pressure dpst[Pa] -</p> <p>Delta I[%] 14</p> <p>Startup current Ia/In 4.9</p> <p>Protection-mode IP 54</p> <p>Weight[kg] 95</p> <p>wiring diagram 01.006</p>	

Monday, 08.February 2010

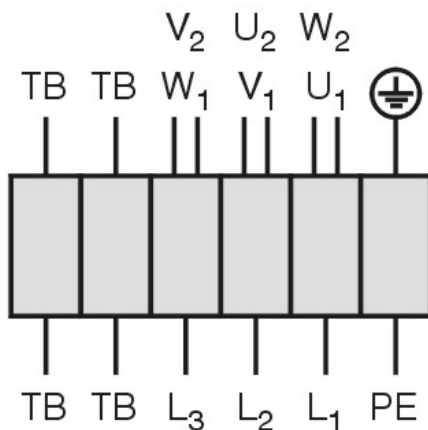


UNO-ME80-500-4D

Drehstrommotor in Δ -Schaltung mit Thermostatschalter (TB).
 Drehrichtungsänderung durch Vertauschen von 2 Phasen.

**Three phase motor in delta connection with thermostatic
 switch (TB). Changing of rotation direction by
 interchanging of 2 phases.**

***Moteur triphasé branché en triangle avec interrupteur
 thermostatique (TB). Changement de sens de rotation par
 inversion de deux phases.***



U ₁	braun / brown / brun
V ₁	blau / blue / bleu
W ₁	schwarz / black / noir
U ₂	rot / red / rouge
V ₂	grau / grey / gris
W ₂	orange / orange / orange
TB	weiß / white / blanc
PE	gelb-grün yellow-green jaune-vert

01.006

TK3-20004