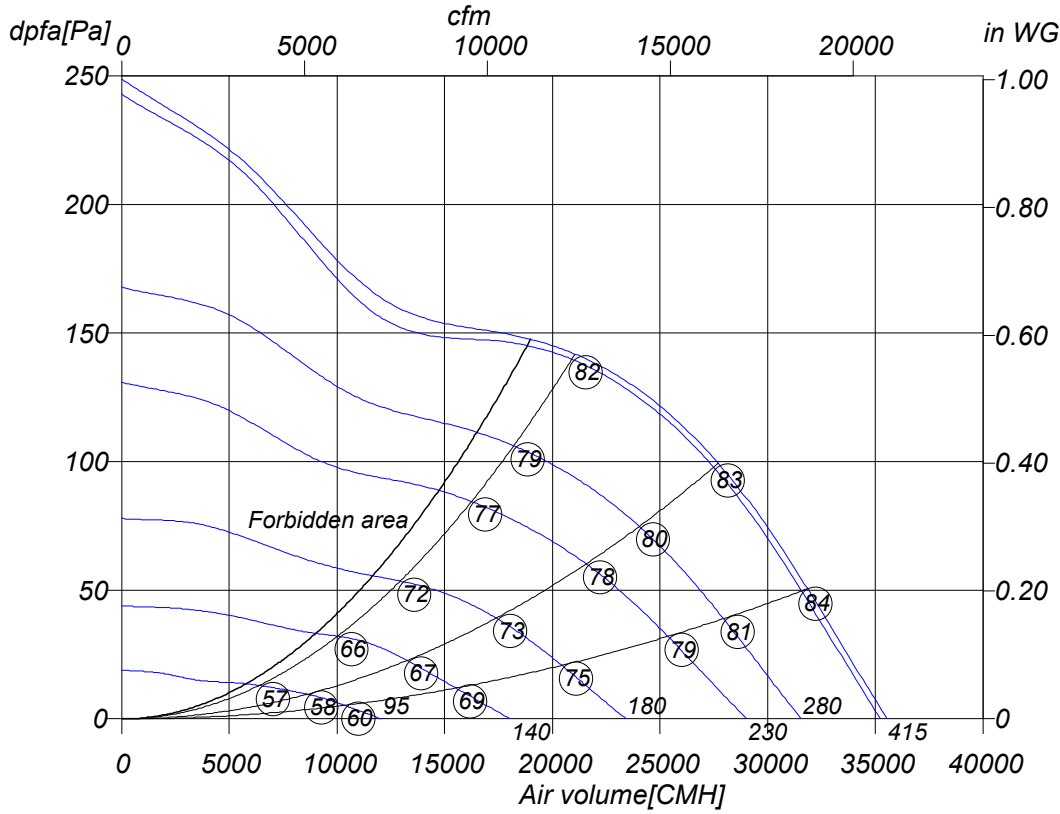


Monday, 30.June 2008



### Axial fan



DR 1000-8	
Art. No.	E10-10050
U[V]	400 D
f[Hz]	50
P[kW]	2.15
I[A]	4.4
n[1/min]	675
C[μF]	-
tR[°C]	45
dpst[Pa]	-
Delta I[%]	8
Ia/In	3.4
IP	54
Weight[kG]	70
Wir. diagr.	01.006

○ Sound power level  
 LwA6[dBA]

#### Octave sound power level

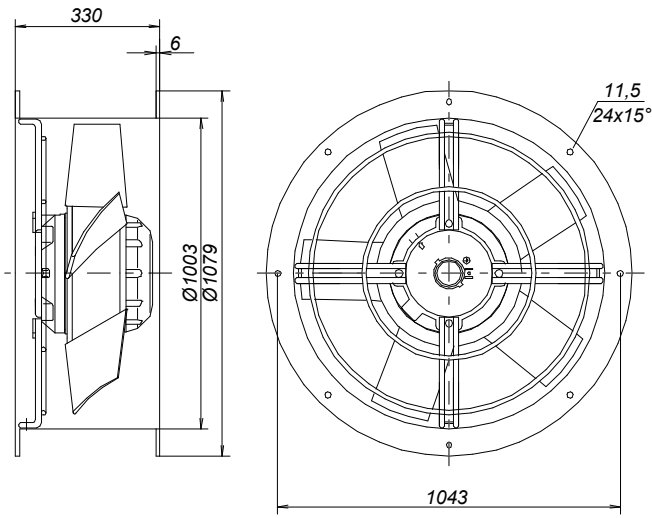
f[Hz]	125	250	500	1000	2000	4000	8000
LwA6[dBA]:	-11	-11	-5	-4	-5	-12	-21

Monday, 30.June 2008



**Axial fan**

**DR 1000-8**



Monday, 30.June 2008

Pos.	Pieces	Description	Price
		<p><i>Rosenberg high efficiency axial fans in low pressure execution</i></p> <p><i>Casing made from galvanized and plastic-coated steel, EQ/DQ series plate mounted, ER/DR series short cased with two flanges.</i></p> <p><i>Impellers with aerodynamically shaped blades, up to size 300 made from galvanized steel, from size 315 up to size 630-6 made from plastic, from size 630-4 from die-cast aluminium, mounted onto a speed controllable external rotor motor. The fan is balanced on two levels according to quality level G 2.5 DIN/ISO 1940.</i></p> <p><i>Closed motor, protection class IP 44/54 with protection against humidity and thermal contacts wired in windings for motor protection from size 315.</i></p> <p><i>Maintenance free ball bearings closed on both sides, sealed for life. Electrical connection through terminal box (not connected) in IP 44.</i></p> <p><i>Documentation:                      Manufacturers declaration and operating instruction are according to machinery directive 89/392/EEC, CE identification in accordance to EMC-directive 89/336/EEC and low voltage directive 73/23/EEC. Motor operating instruction are available from motor manufacturer.</i></p> <p><b>Nominal data</b></p> <p>Type DR 1000-8                      Article no. E10-10050                      Voltage[V] 400 D                      Frequency[Hz] 50                      Power P1[kW] 2.15                      Current I[A] 4.4                      Speed n[1/min] 675                      Capacitor C[µF] -                      Max. air temp.tR[°C] 45                      Min. pressure dpst[Pa] -                      Delta I[%] 8                      Startup current Ia/In 3.4                      Protection-mode IP 54                      Weight[kg] 70                      wiring diagram 01.006</p>	

Monday, 30.June 2008



**Axial fan**

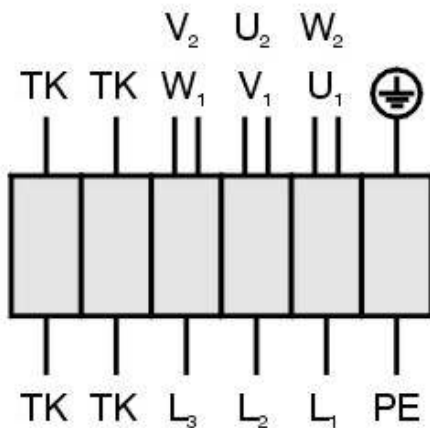
**DR 1000-8**

Drehstrommotor in  $\Delta$ -Schaltung mit Thermokontakt.  
 Drehrichtungsänderung durch Vertauschen von 2 Phasen.

**Three phase motor in delta connection with thermal contact. Changing of rotation direction by interchanging of 2 phases.**

*Moteur triphasé branché en triangle avec thermocontact. Changement de sens de rotation par inversion de deux phases.*

TK3-20004



- U<sub>1</sub> braun / brown / brun
- V<sub>1</sub> blau / blue / bleu
- W<sub>1</sub> schwarz / black / noir
- U<sub>2</sub> rot / red / rouge
- V<sub>2</sub> grau / grey / gris
- W<sub>2</sub> orange / orange / orange
- TK weiß / white / blanc
- PE gelb-grün  
yellow-green  
jaun-vert

01.006