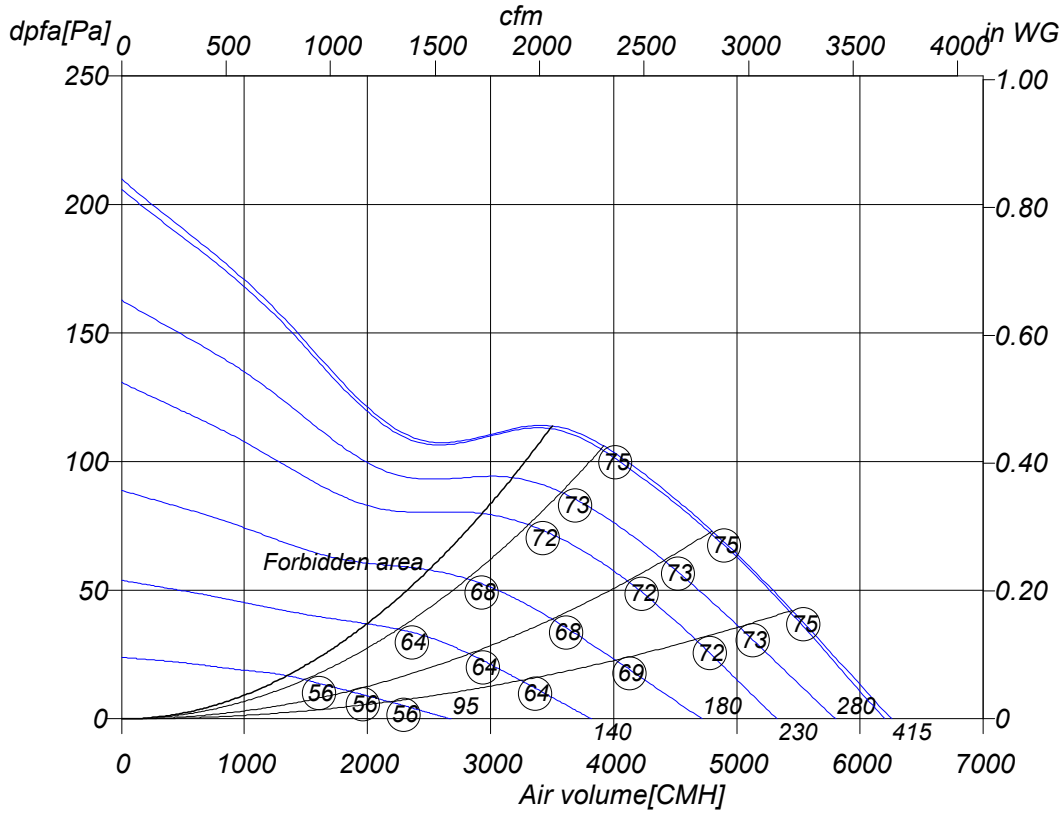


Monday, 30.June 2008



### Axial fan



<b>DR 450-4</b>	
Art. No.	E10-45055
U[V]	400 D
f[Hz]	50
P[kW]	0.33
I[A]	0.75
n[1/min]	1390
C[μF]	-
tR[°C]	60
dpst[Pa]	-
Delta I[%]	5
Ia/In	1.8
IP	54
Weight[kG]	10
Wir. diagr.	01.006

○ Sound power level  
 LwA6[dBA]

#### Octave sound power level

f[Hz]	125	250	500	1000	2000	4000	8000
LwA6[dBA]:	0	10	13	15	16	13	6

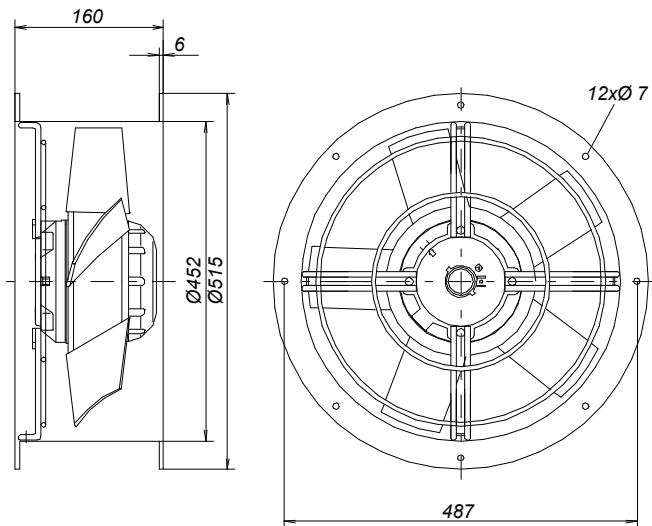


Monday, 30.June 2008



**Axial fan**

**DR 450-4**



Monday, 30.June 2008

Pos.	Pieces	Description	Price
		<p><i>Rosenberg high efficiency axial fans in low pressure execution</i></p> <p><i>Casing made from galvanized and plastic-coated steel, EQ/DQ series plate mounted, ER/DR series short cased with two flanges.</i></p> <p><i>Impellers with aerodynamically shaped blades, up to size 300 made from galvanized steel, from size 315 up to size 630-6 made from plastic, from size 630-4 from die-cast aluminium, mounted onto a speed controllable external rotor motor. The fan is balanced on two levels according to quality level G 2.5 DIN/ISO 1940.</i></p> <p><i>Closed motor, protection class IP 44/54 with protection against humidity and thermal contacts wired in windings for motor protection from size 315.</i></p> <p><i>Maintenance free ball bearings closed on both sides, sealed for life. Electrical connection through terminal box (not connected) in IP 44.</i></p> <p><i>Documentation:                      Manufacturers declaration and operating instruction are according to machinery directive 89/392/EEC, CE identification in accordance to EMC-directive 89/336/EEC and low voltage directive 73/23/EEC. Motor operating instruction are available from motor manufacturer.</i></p> <p><b>Nominal data</b></p> <p>Type DR 450-4                      Article no. E10-45055                      Voltage[V] 400 D                      Frequency[Hz] 50                      Power P1[kW] 0.33                      Current I[A] 0.75                      Speed n[1/min] 1390                      Capacitor C[μF] -                      Max. air temp.tR[°C] 60                      Min. pressure dpst[Pa] -                      Delta I[%] 5                      Startup current Ia/In 1.8                      Protection-mode IP 54                      Weight[kg] 10                      wiring diagram 01.006</p>	

Monday, 30.June 2008



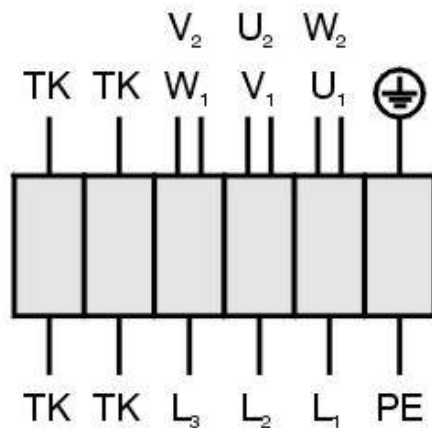
## Axial fan

### DR 450-4

Drehstrommotor in  $\Delta$ -Schaltung mit Thermokontakt.  
 Drehrichtungsänderung durch Vertauschen von 2 Phasen.

**Three phase motor in delta connection with thermal contact. Changing of rotation direction by interchanging of 2 phases.**

***Moteur triphasé branché en triangle avec thermocontact. Changement de sens de rotation par inversion de deux phases.***



- U<sub>1</sub> braun / brown / brun
- V<sub>1</sub> blau / blue / bleu
- W<sub>1</sub> schwarz / black / noir
- U<sub>2</sub> rot / red / rouge
- V<sub>2</sub> grau / grey / gris
- W<sub>2</sub> orange / orange / orange
- TK weiß / white / blanc
- PE gelb-grün  
yellow-green  
jaun-vert

01.006

TK3-20004