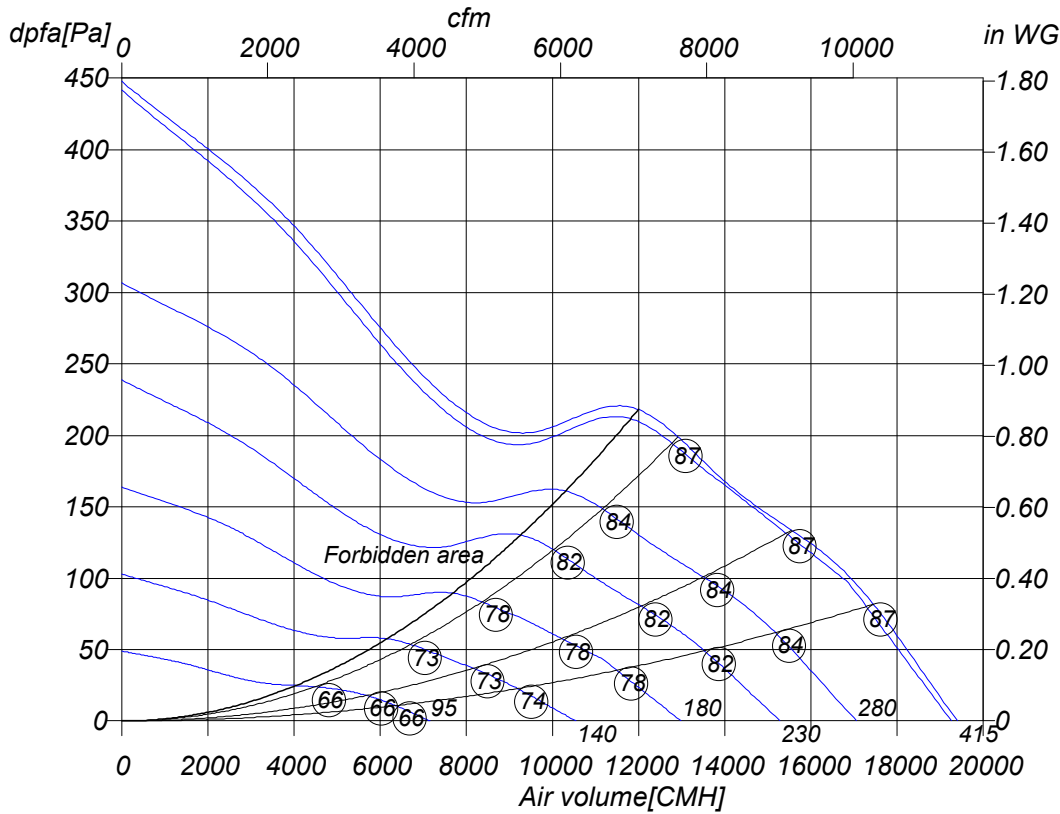


Monday, 30.June 2008



Axial fan



DR 630-4	
Art. No.	E10-63080
U[V]	400 D
f[Hz]	50
P[kW]	2.15
I[A]	3.9
n[1/min]	1305
C[μF]	-
tR[°C]	50
dpst[Pa]	-
Delta I[%]	2
Ia/In	3.7
IP	54
Weight[kG]	26
Wir. diagr.	01.006

○ Sound power level
 LwA6[dBA]

Octave sound power level

f[Hz]	125	250	500	1000	2000	4000	8000
LwA6[dBA]:	-18	-10	-6	-4	-5	-8	-17

Hint: Not controllable by electronic device

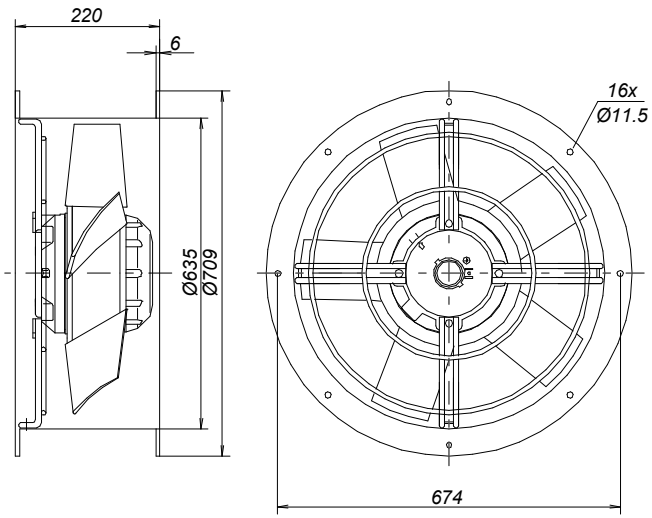


Monday, 30.June 2008



Axial fan

DR 630-4



Monday, 30.June 2008

Pos.	Pieces	Description	Price
		<p><i>Rosenberg high efficiency axial fans in low pressure execution</i></p> <p><i>Casing made from galvanized and plastic-coated steel, EQ/DQ series plate mounted, ER/DR series short cased with two flanges.</i></p> <p><i>Impellers with aerodynamically shaped blades, up to size 300 made from galvanized steel, from size 315 up to size 630-6 made from plastic, from size 630-4 from die-cast aluminium, mounted onto a speed controllable external rotor motor. The fan is balanced on two levels according to quality level G 2.5 DIN/ISO 1940.</i></p> <p><i>Closed motor, protection class IP 44/54 with protection against humidity and thermal contacts wired in windings for motor protection from size 315.</i></p> <p><i>Maintenance free ball bearings closed on both sides, sealed for life. Electrical connection through terminal box (not connected) in IP 44.</i></p> <p><i>Documentation: Manufacturers declaration and operating instruction are according to machinery directive 89/392/EEC, CE identification in accordance to EMC-directive 89/336/EEC and low voltage directive 73/23/EEC. Motor operating instruction are available from motor manufacturer.</i></p> <p>Nominal data</p> <p>Type DR 630-4 Article no. E10-63080 Voltage[V] 400 D Frequency[Hz] 50 Power P1[kW] 2.15 Current I[A] 3.9 Speed n[1/min] 1305 Capacitor C[µF] - Max. air temp.tR[°C] 50 Min. pressure dpst[Pa] - Delta I[%] 2 Startup current Ia/In 3.7 Protection-mode IP 54 Weight[kg] 26 wiring diagram 01.006</p>	

Monday, 30.June 2008



Axial fan

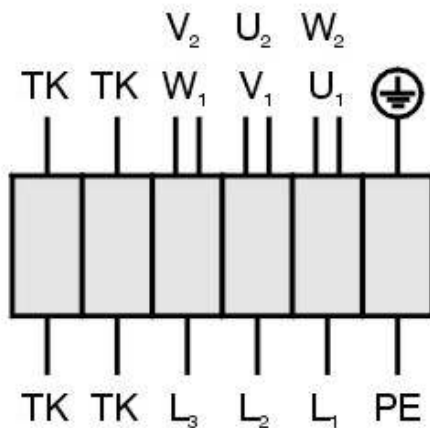
DR 630-4

Drehstrommotor in Δ -Schaltung mit Thermokontakt.
 Drehrichtungsänderung durch Vertauschen von 2 Phasen.

Three phase motor in delta connection with thermal contact. Changing of rotation direction by interchanging of 2 phases.

Moteur triphasé branché en triangle avec thermocontact. Changement de sens de rotation par inversion de deux phases.

TK3-20004



- U₁ braun / brown / brun
- V₁ blau / blue / bleu
- W₁ schwarz / black / noir
- U₂ rot / red / rouge
- V₂ grau / grey / gris
- W₂ orange / orange / orange
- TK weiß / white / blanc
- PE gelb-grün
yellow-green
jaun-vert

01.006