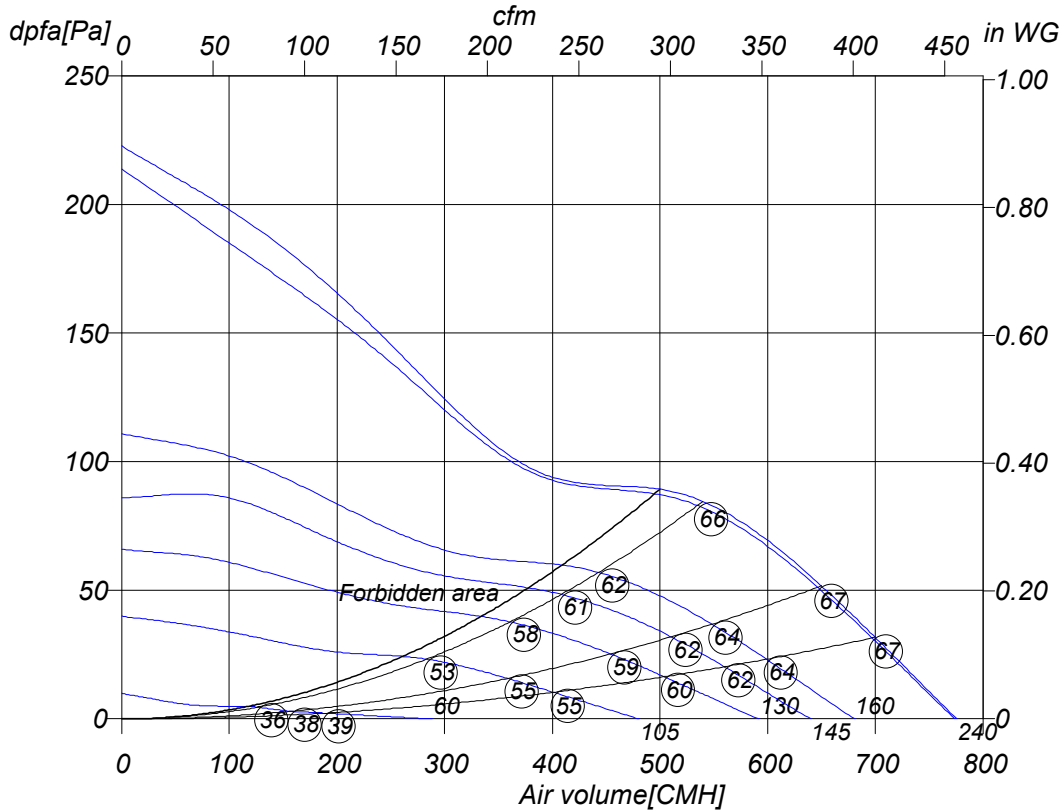


Monday, 30.June 2008



Axial fan



| | |
|-----------------|-----------|
| ER 200-2 | |
| Art. No. | E10-20001 |
| U[V] | 230 |
| f[Hz] | 50 |
| P[kW] | 0.07 |
| I[A] | 0.30 |
| n[1/min] | 2550 |
| C[μF] | 2 |
| tR[°C] | 70 |
| dpst[Pa] | - |
| Delta I[%] | - |
| Ia/In | 1.5 |
| IP | 44 |
| Weight[kG] | 3 |
| Wir. diagr. | 01.009 |

○ Sound power level
 LwA6[dBA]

Octave sound power level

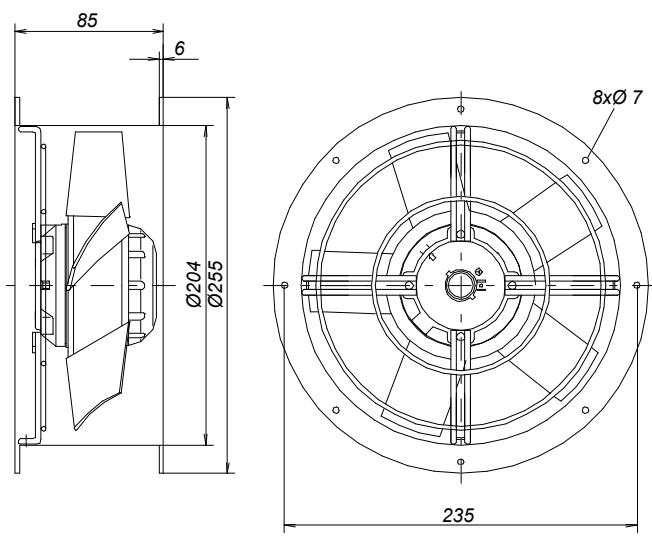
| | | | | | | | |
|------------|-----|-----|-----|------|------|------|------|
| f[Hz] | 125 | 250 | 500 | 1000 | 2000 | 4000 | 8000 |
| LwA6[dBA]: | -23 | -10 | -7 | -5 | -4 | -7 | -14 |

Monday, 30. June 2008



Axial fan

ER 200-2



Monday, 30.June 2008

| Pos. | Pieces | Description | Price |
|------|--------|--|-------|
| | | <p><i>Rosenberg high efficiency axial fans in low pressure execution</i></p> <p><i>Casing made from galvanized and plastic-coated steel, EQ/DQ series plate mounted, ER/DR series short cased with two flanges.</i></p> <p><i>Impellers with aerodynamically shaped blades, up to size 300 made from galvanized steel, from size 315 up to size 630-6 made from plastic, from size 630-4 from die-cast aluminium, mounted onto a speed controllable external rotor motor. The fan is balanced on two levels according to quality level G 2.5 DIN/ISO 1940.</i></p> <p><i>Closed motor, protection class IP 44/54 with protection against humidity and thermal contacts wired in windings for motor protection from size 315.</i></p> <p><i>Maintenance free ball bearings closed on both sides, sealed for life. Electrical connection through terminal box (not connected) in IP 44.</i></p> <p><i>Documentation: Manufacturers declaration and operating instruction are according to machinery directive 89/392/EEC, CE identification in accordance to EMC-directive 89/336/EEC and low voltage directive 73/23/EEC. Motor operating instruction are available from motor manufacturer.</i></p> | |
| | | <p>Nominal data</p> <p>Type <i>ER 200-2</i></p> <p>Article no. <i>E10-20001</i></p> <p>Voltage[V] <i>230</i></p> <p>Frequency[Hz] <i>50</i></p> <p>Power P1[kW] <i>0.07</i></p> <p>Current I[A] <i>0.30</i></p> <p>Speed n[1/min] <i>2550</i></p> <p>Capacitor C[µF] <i>2</i></p> <p>Max. air temp.tR[°C] <i>70</i></p> <p>Min. pressure dpst[Pa] <i>-</i></p> <p>Delta I[%] <i>-</i></p> <p>Startup current Ia/In <i>1.5</i></p> <p>Protection-mode <i>IP 44</i></p> <p>Weight[kg] <i>3</i></p> <p>wiring diagram <i>01.009</i></p> | |

Monday, 30.June 2008



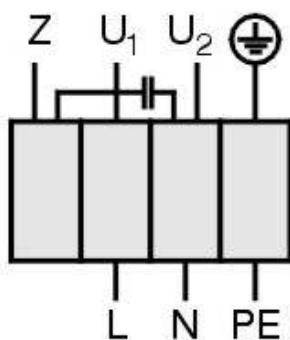
Axial fan

ER 200-2

Einphasenwechselstrommotor mit Betriebskondensator und Thermokontakt.
Thermokontakt mit der Wicklung in Reihe geschaltet.

**Single phase A.C. motor with operating capacitor and thermal contact.
Thermal contact wired in series with windings.**

***Moteur monophasé avec condensateur permanent et thermovontact branché
en série avec le bobinage en cas de branchement***



U₁ blau / blue / bleu
U₂ schwarz / black / noir
Z braun / brown / brun
PE gelb-grün
yellow-green
jaun-vert

01.009

TK3-20005