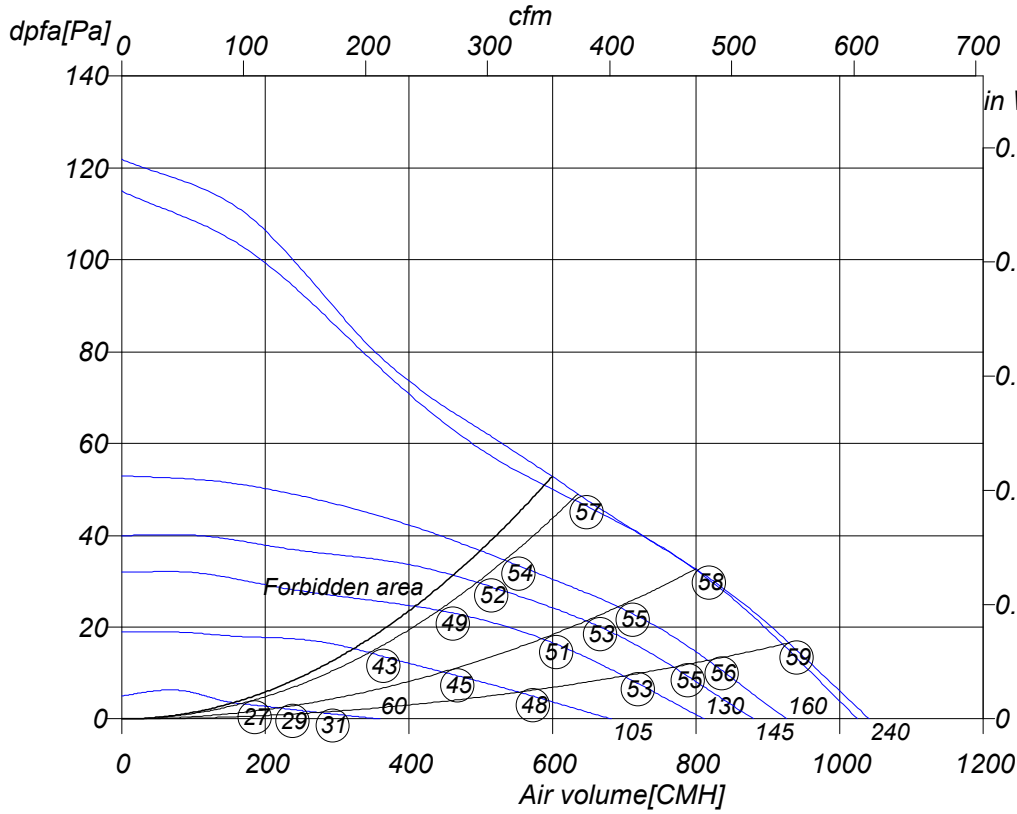


Monday, 30.June 2008



**Axial fan**



ER 250-4	
Art. No.	E10-25000
U[V]	230
f[Hz]	50
P[kW]	0.06
I[A]	0.27
n[1/min]	1270
C[μF]	1.5
tR[°C]	70
dpst[Pa]	-
Delta I[%]	-
Ia/In	1.6
IP	44
Weight[kG]	4
Wir. diagr.	01.009

○ Sound power level  
 LwA6[dBA]

**Octave sound power level**

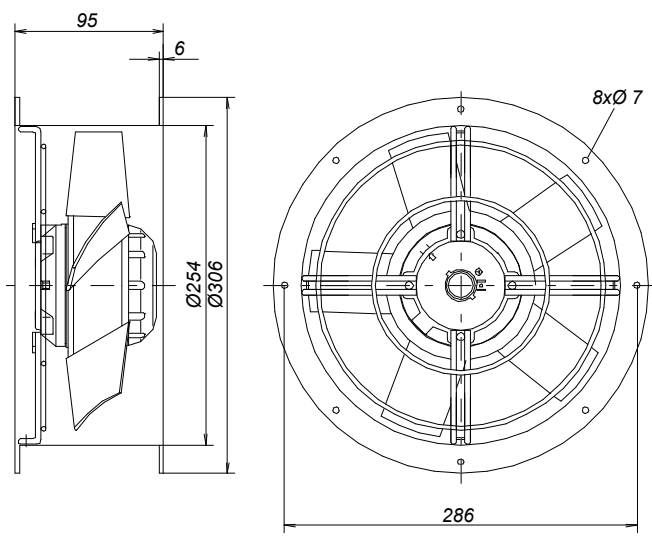
f[Hz]	125	250	500	1000	2000	4000	8000
LwA6[dBA]:	-15	-9	-6	-5	-4	-9	-20

Monday, 30. June 2008



**Axial fan**

**ER 250-4**



Monday, 30.June 2008

Pos.	Pieces	Description	Price
		<p><i>Rosenberg high efficiency axial fans in low pressure execution</i></p> <p><i>Casing made from galvanized and plastic-coated steel, EQ/DQ series plate mounted, ER/DR series short cased with two flanges.</i></p> <p><i>Impellers with aerodynamically shaped blades, up to size 300 made from galvanized steel, from size 315 up to size 630-6 made from plastic, from size 630-4 from die-cast aluminium, mounted onto a speed controllable external rotor motor. The fan is balanced on two levels according to quality level G 2.5 DIN/ISO 1940.</i></p> <p><i>Closed motor, protection class IP 44/54 with protection against humidity and thermal contacts wired in windings for motor protection from size 315.</i></p> <p><i>Maintenance free ball bearings closed on both sides, sealed for life. Electrical connection through terminal box (not connected) in IP 44.</i></p> <p><i>Documentation:                      Manufacturers declaration and operating instruction are according to machinery directive 89/392/EEC, CE identification in accordance to EMC-directive 89/336/EEC and low voltage directive 73/23/EEC. Motor operating instruction are available from motor manufacturer.</i></p> <p><b>Nominal data</b></p> <p>Type ER 250-4                      Article no. E10-25000                      Voltage[V] 230                      Frequency[Hz] 50                      Power P1[kW] 0.06                      Current I[A] 0.27                      Speed n[1/min] 1270                      Capacitor C[μF] 1.5                      Max. air temp.tR[°C] 70                      Min. pressure dpst[Pa] -                      Delta I[%] -                      Startup current Ia/In 1.6                      Protection-mode IP 44                      Weight[kg] 4                      wiring diagram 01.009</p>	

Monday, 30.June 2008



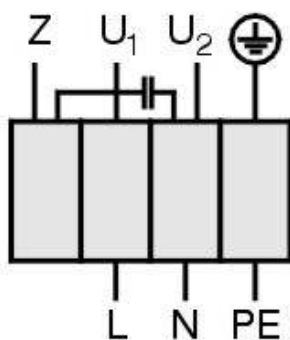
**Axial fan**

## ER 250-4

Einphasenwechselstrommotor mit Betriebskondensator und Thermokontakt.  
Thermokontakt mit der Wicklung in Reihe geschaltet.

**Single phase A.C. motor with operating capacitor and thermal contact.  
Thermal contact wired in series with windings.**

***Moteur monophasé avec condensateur permanent et thermovontact branché  
en série avec le bobinage en cas de branchement***



U<sub>1</sub> blau / blue / bleu  
U<sub>2</sub> schwarz / black / noir  
Z braun / brown / brun  
PE gelb-grün  
yellow-green  
jaun-vert

01.009

TK3-20005