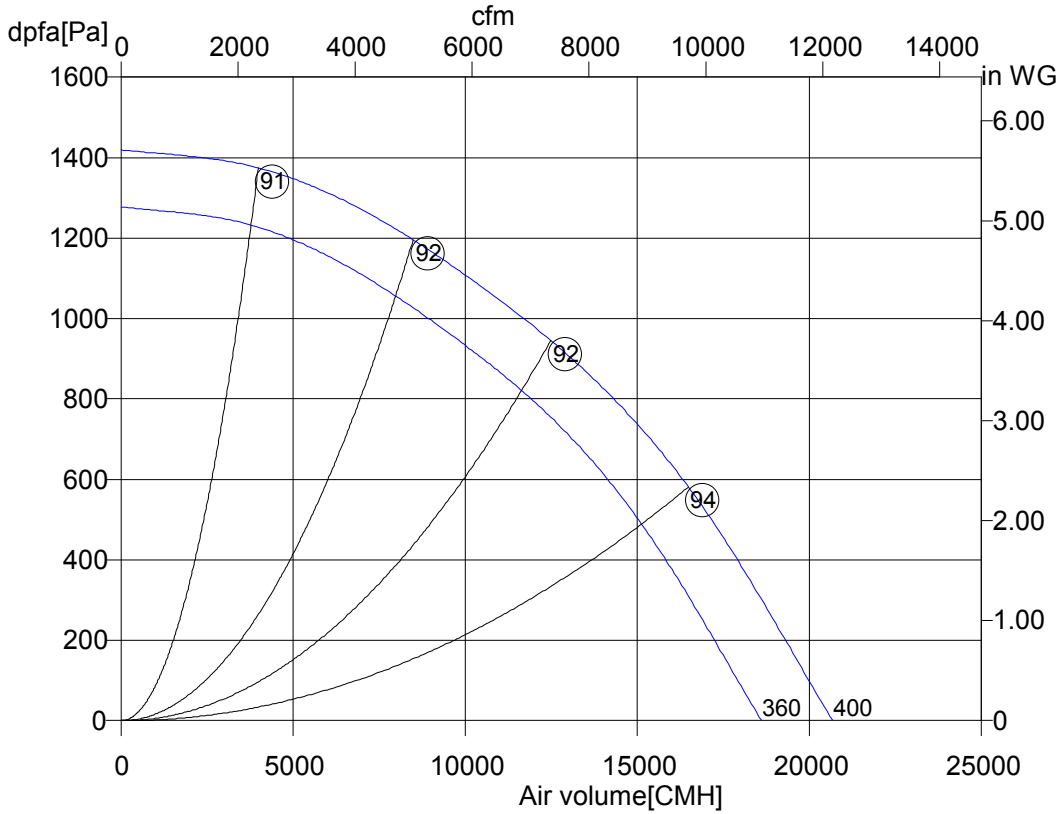


Monday, 08.February 2010



UNO-ME102-630-4D



| UNO-ME102-630-4D | |
|------------------|--------|
| Art. No. | |
| U[V] | 400 D |
| f[Hz] | 50 |
| P[kW] | 6.0 |
| I[A] | 10.8 |
| n[1/min] | 1460 |
| C[μF] | - |
| tR[°C] | 75 |
| dpst[Pa] | - |
| Delta I[%] | - |
| Ia/In | 5.8 |
| IP | 54 |
| Weight[kG] | 165 |
| Wir. diagr. | 01.382 |

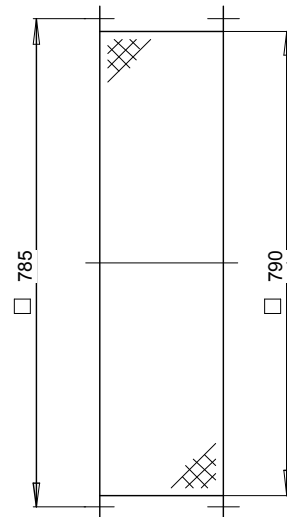
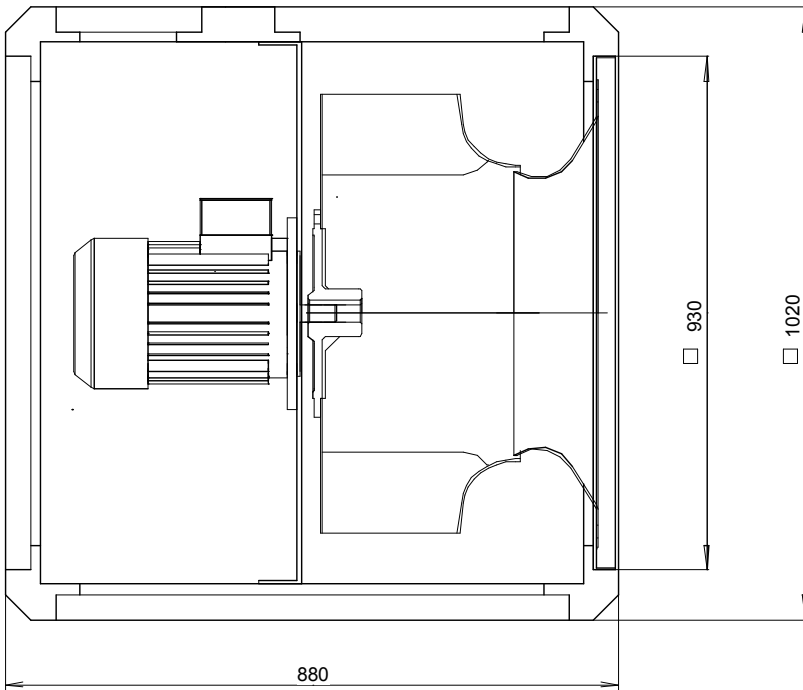
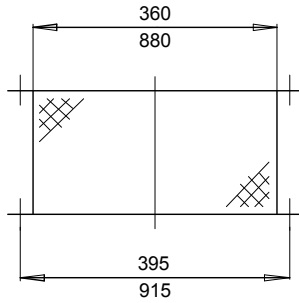
○ Sound power level
 LwA6[dBA]

Hint: Not controllable, max. ambient temp. 40°C

Monday, 08.February 2010



UNO-ME102-630-4D



Monday, 08.February 2010

| Pos. | Pieces | Description | Price |
|------|--------|---|-------|
| | | <p>Nominal data</p> <p>Type UNO-ME102-630-4D</p> <p>Article no.</p> <p>Voltage[V] 400 D</p> <p>Frequency[Hz] 50</p> <p>Power P1[kW] 6.0</p> <p>Current I[A] 10.8</p> <p>Speed n[1/min] 1460</p> <p>Capacitor C[µF] -</p> <p>Max. air temp.tR[°C] 75</p> <p>Min. pressure dpst[Pa] -</p> <p>Delta I[%] -</p> <p>Startup current Ia/In 5.8</p> <p>Protection-mode IP 54</p> <p>Weight[kg] 165</p> <p>wiring diagram 01.382</p> | |

Monday, 08.February 2010



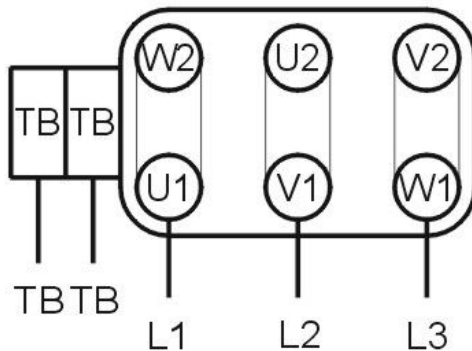
UNO-ME102-630-4D

Drehstromnormmotor mit Thermostatschalter (TB).
Drehrichtungsänderung durch Vertauschen von 2 Phasen.

Three phase IEC motor with thermostatic switch (TB).
Changing of rotation by interchanging or 2 phases.

IEC moteur triphasé avec interrupteur thermostatique (TB).
Changement du sens de rotation par inversion de deux phases.

Δ- Schaltung
Delta-connection
Commutation triangle



TB Thermostatschalter / **thermostatic switch** /
interrupteur thermostatique

01.382

TK3-20068