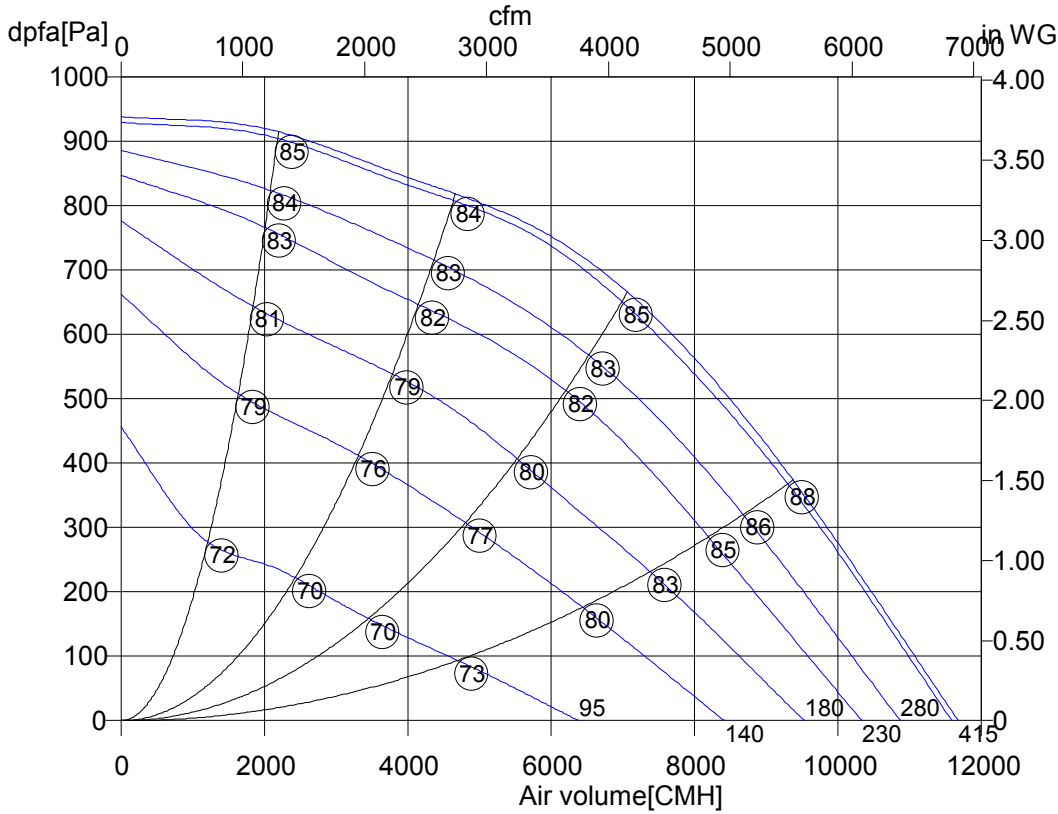


Monday, 08.February 2010



## UNO-ME80-560-4D



UNO-ME80-560-4D	
Art. No.	
U[V]	400 D
f[Hz]	50
P[kW]	2.5
I[A]	7.0
n[1/min]	1410
C[μF]	-
tR[°C]	100
dpst[Pa]	-
Delta I[%]	-
Ia/In	3.5
IP	54
Weight[kG]	100
Wir. diagr.	01.382

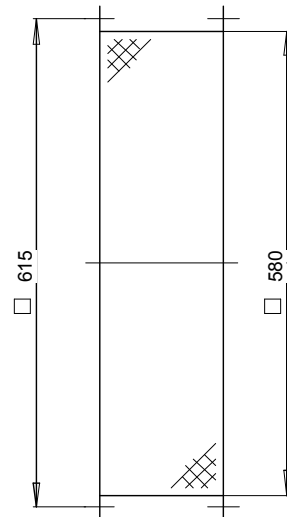
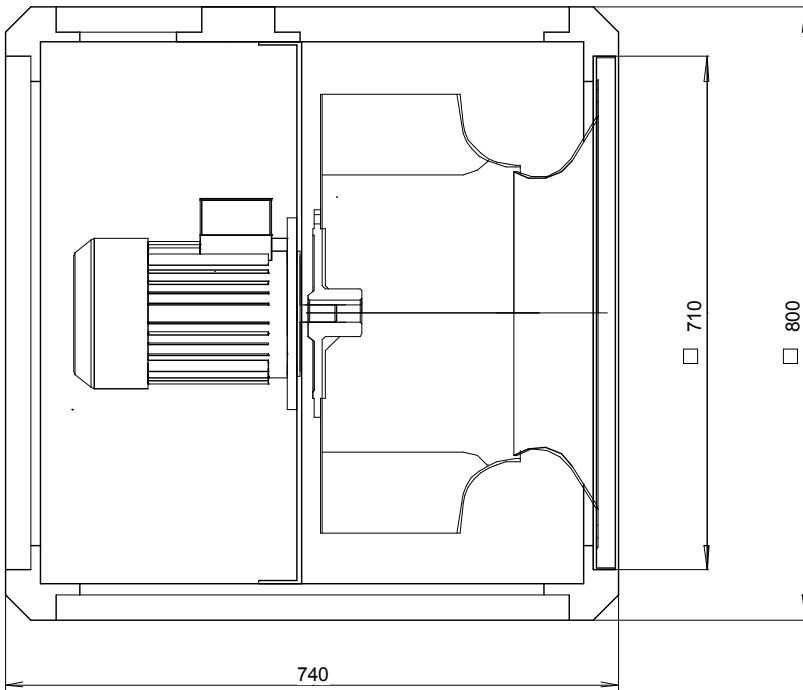
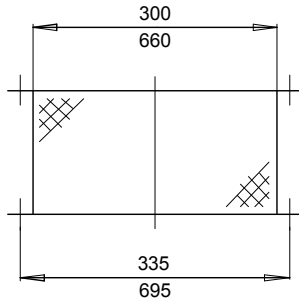
○ Sound power level  
 LwA6[dBA]

**Hint:** Not controllable by electronic device, max. ambient temp. 40°C

Monday, 08.February 2010



## UNO-ME80-560-4D



Monday, 08.February 2010

Pos.	Pieces	Description	Price
		<p><b>Nominal data</b></p> <p>Type UNO-ME80-560-4D</p> <p>Article no.</p> <p>Voltage[V] 400 D</p> <p>Frequency[Hz] 50</p> <p>Power P1[kW] 2.5</p> <p>Current I[A] 7.0</p> <p>Speed n[1/min] 1410</p> <p>Capacitor C[µF] -</p> <p>Max. air temp.tR[°C] 100</p> <p>Min. pressure dpst[Pa] -</p> <p>Delta I[%] -</p> <p>Startup current Ia/In 3.5</p> <p>Protection-mode IP 54</p> <p>Weight[kg] 100</p> <p>wiring diagram 01.382</p>	

Monday, 08. February 2010



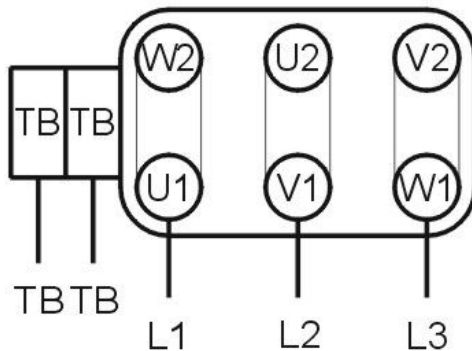
## UNO-ME80-560-4D

Drehstromnormmotor mit Thermostatschalter (TB).  
 Drehrichtungsänderung durch Vertauschen von 2 Phasen.

**Three phase IEC motor with thermostatic switch (TB).**  
**Changing of rotation by interchanging or 2 phases.**

***IEC moteur triphasé avec interrupteur thermostatique (TB).***  
***Changement du sens de rotation par inversion de deux phases.***

Δ- Schaltung  
**Delta-connection**  
**Commutation triangle**



TB Thermostatschalter / **thermostatic switch** /  
***interrupteur thermostatique***

01.382

TK3-20068