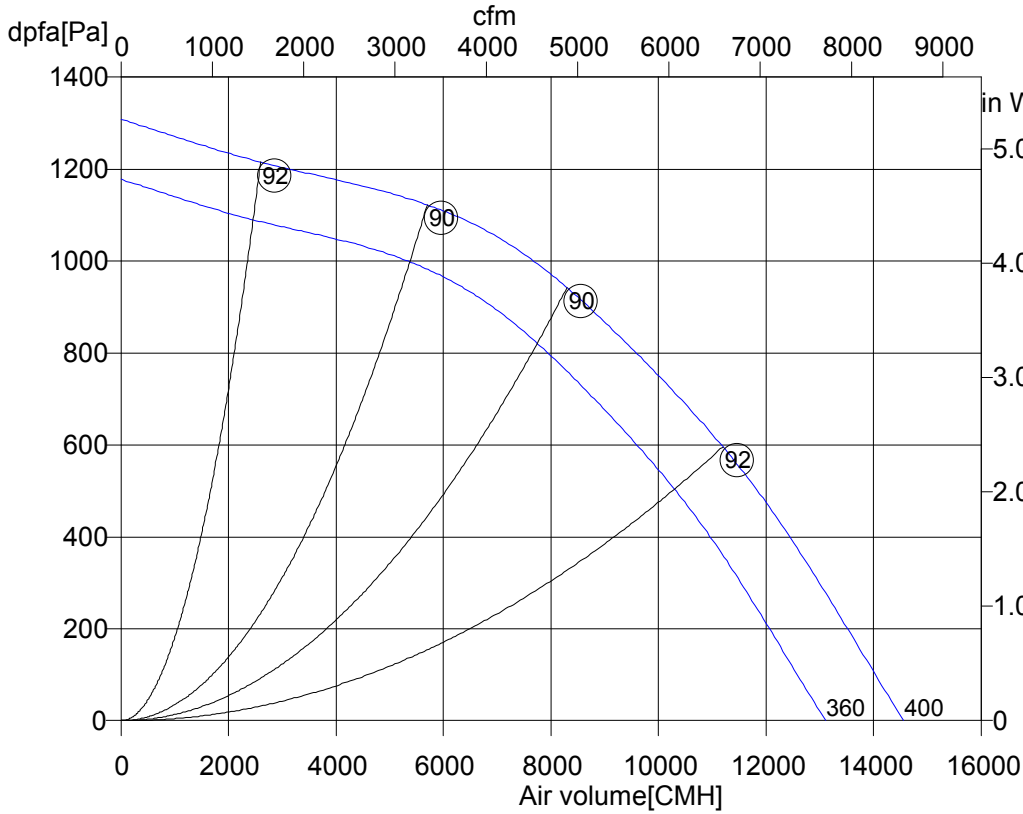


Monday, 08.February 2010



UNO-ME80-630-4D



UNO-ME80-630-4D	
Art. No.	
U[V]	400 D
f[Hz]	50
P[kW]	4.4
I[A]	8.0
n[1/min]	1448
C[μF]	-
tR[°C]	90
dpst[Pa]	-
Delta I[%]	-
Ia/In	5.8
IP	54
Weight[kG]	105
Wir. diagr.	01.382

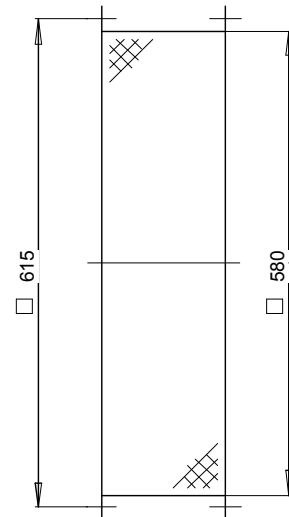
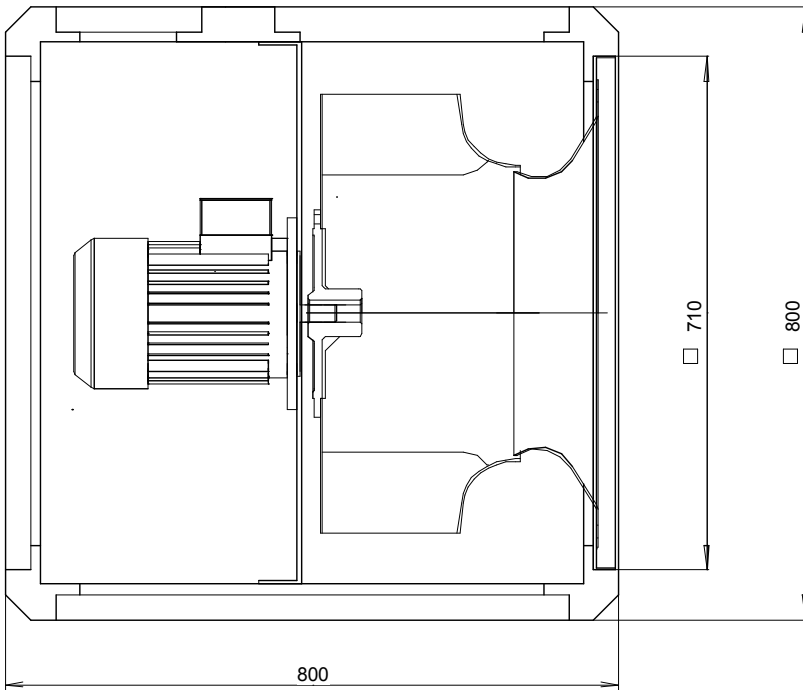
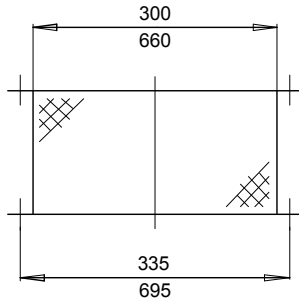
○ Sound power level
 LwA6[dBA]

Hint: Not controllable, max. ambient temp. 40°C

Monday, 08.February 2010



UNO-ME80-630-4D



Monday, 08.February 2010

Pos.	Pieces	Description	Price
		<p>Nominal data</p> <p>Type UNO-ME80-630-4D</p> <p>Article no.</p> <p>Voltage[V] 400 D</p> <p>Frequency[Hz] 50</p> <p>Power P1[kW] 4.4</p> <p>Current I[A] 8.0</p> <p>Speed n[1/min] 1448</p> <p>Capacitor C[µF] -</p> <p>Max. air temp.tR[°C] 90</p> <p>Min. pressure dpst[Pa] -</p> <p>Delta I[%] -</p> <p>Startup current Ia/In 5.8</p> <p>Protection-mode IP 54</p> <p>Weight[kg] 105</p> <p>wiring diagram 01.382</p>	

Monday, 08.February 2010



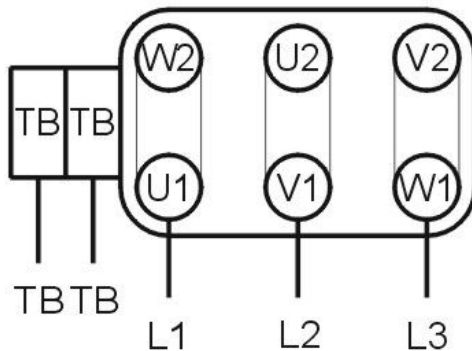
UNO-ME80-630-4D

Drehstromnormmotor mit Thermostatschalter (TB).
 Drehrichtungsänderung durch Vertauschen von 2 Phasen.

**Three phase IEC motor with thermostatic switch (TB).
 Changing of rotation by interchanging or 2 phases.**

***IEC moteur triphasé avec interrupteur thermostatique (TB).
 Changement du sens de rotation par inversion de deux
 phases.***

Δ - Schaltung
Delta-connection
Commutation triangle



TB Thermostatschalter / **thermostatic switch** /
interrupteur thermostatique

01.382

TK3-20068