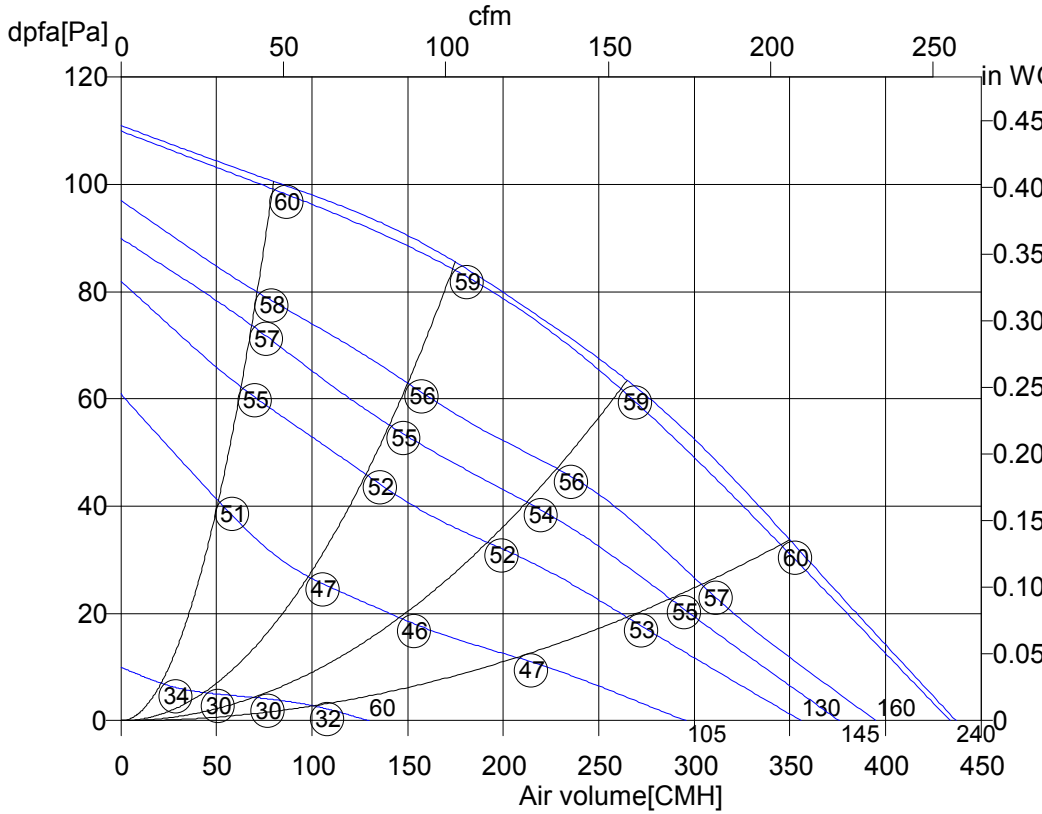


Thursday, 11.March 2010



Radial Roof fan
 Horizontal outlet



DH 225-4 E	
Art. No.	A10-22506
U[V]	230
f[Hz]	50
P[kW]	0.04
I[A]	0.16
n[1/min]	1320
C[μF]	1.5
tR[°C]	60
dpst[Pa]	-
Delta I[%]	-
Ia/In	1.4
IP	44
Weight[kG]	4.5
Wir. diagr.	01.009

○ Sound power level
 LwA8[dBA]

Octave sound power level

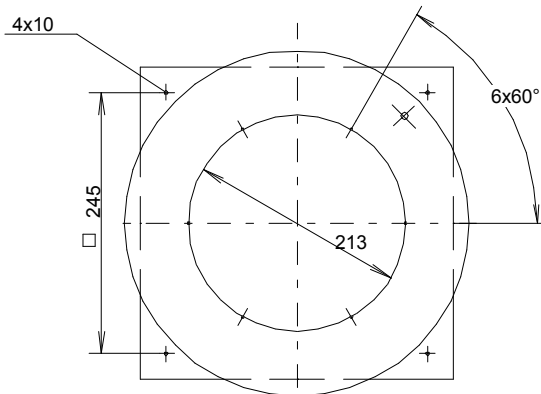
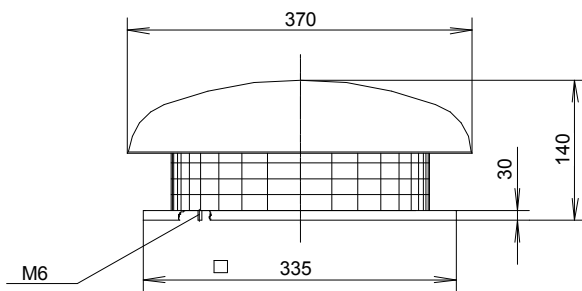
f[Hz]	125	250	500	1000	2000	4000	8000
LwA8[dBA]:	-21	-8	-5	-5	-5	-10	-14
LwA5[dBA]:	-24	-13	-9	-9	-13	-15	-20

Thursday, 11.March 2010



Radial Roof fan Horizontal outlet

DH 225-4 E



Thursday, 11.March 2010

Pos.	Pieces	Description	Price																														
		<p>Rosenberg radial roof fans DH / DHW Series, horizontal outlet</p> <p>Base frame with bolts for tightening of inlet accessories and rectangular inlet cone made from galvanized steel; from size 560 -710 additionally plastic coated. Rain hood up to size 500 made from seawater resistant aluminium, from size 560 from galvanized steel. Motor supporting plate with integrated protection guard made from plastic coated round bar steel.</p> <p>Fans are equipped with backward curved high efficiency plastic impellers up to size 450, from size 450 W made from seawater resistant aluminium, mounted onto the rotor of a speed controllable external rotor motor. Balanced on two levels according to quality level G 2.5 DIN/ISO1940. Motor closed, protection class IP 44/54 with protection against humidity and thermal contacts wired in windings from size 355.</p> <p>Maintenance free ball bearings, closed on both sides, sealed for life. Easy access to the terminal box (not connected) in IP 54 under rain hood.</p> <p>Documentation: Manufacturers declaration and operating instruction are according to machinery directive 89/392/EEC, CE identification in accordance to EMC-directive 2004/108/EEC and low voltage directive 2006/95/EEC. Motor operating instruction are available from motor manufacturer.</p>																															
		<p>Nominal data</p> <table data-bbox="363 1469 901 1973"> <tr><td>Type</td><td>DH 225-4 E</td></tr> <tr><td>Article no.</td><td>A10-22506</td></tr> <tr><td>Voltage[V]</td><td>230</td></tr> <tr><td>Frequency[Hz]</td><td>50</td></tr> <tr><td>Power P1[kW]</td><td>0.04</td></tr> <tr><td>Current I[A]</td><td>0.16</td></tr> <tr><td>Speed n[1/min]</td><td>1320</td></tr> <tr><td>Capacitor C[µF]</td><td>1.5</td></tr> <tr><td>Max. air temp.tR[°C]</td><td>60</td></tr> <tr><td>Min. pressure dpst[Pa]</td><td>-</td></tr> <tr><td>Delta I[%]</td><td>-</td></tr> <tr><td>Startup current Ia/In</td><td>1.4</td></tr> <tr><td>Protection-mode</td><td>IP 44</td></tr> <tr><td>Weight[kg]</td><td>4.5</td></tr> <tr><td>wiring diagram</td><td>01.009</td></tr> </table>	Type	DH 225-4 E	Article no.	A10-22506	Voltage[V]	230	Frequency[Hz]	50	Power P1[kW]	0.04	Current I[A]	0.16	Speed n[1/min]	1320	Capacitor C[µF]	1.5	Max. air temp.tR[°C]	60	Min. pressure dpst[Pa]	-	Delta I[%]	-	Startup current Ia/In	1.4	Protection-mode	IP 44	Weight[kg]	4.5	wiring diagram	01.009	
Type	DH 225-4 E																																
Article no.	A10-22506																																
Voltage[V]	230																																
Frequency[Hz]	50																																
Power P1[kW]	0.04																																
Current I[A]	0.16																																
Speed n[1/min]	1320																																
Capacitor C[µF]	1.5																																
Max. air temp.tR[°C]	60																																
Min. pressure dpst[Pa]	-																																
Delta I[%]	-																																
Startup current Ia/In	1.4																																
Protection-mode	IP 44																																
Weight[kg]	4.5																																
wiring diagram	01.009																																

Thursday, 11.March 2010



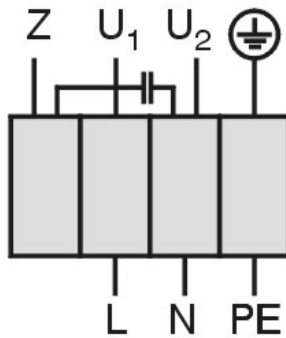
Radial Roof fan Horizontal outlet

DH 225-4 E

Einphasenwechselstrommotor mit Betriebskondensator und Thermostatschalter.
Thermostatschalter intern mit der Wicklung in Reihe geschaltet.

**Single phase A.C. motor with operating capacitor and thermostatic switch.
Thermostatic switch internal wired in series with windings.**

***Moteur monophasé avec condensateur permanent et interrupteur
thermostatique en série avec le bobinage en cas de branchement***



U₁ blau / blue / bleu
U₂ schwarz / black / noir
Z braun / brown / brun
PE gelb-grün
yellow-green
jaun-vert

TK3-20005

01.009