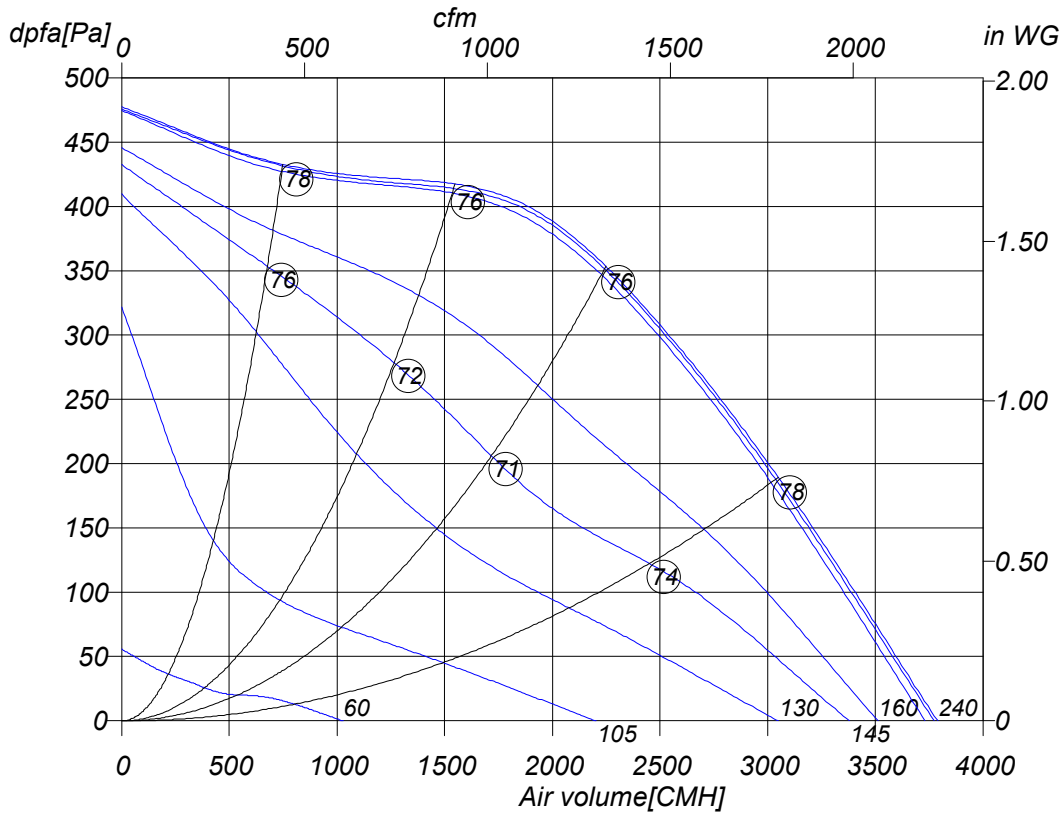


Wednesday, 23. July 2008



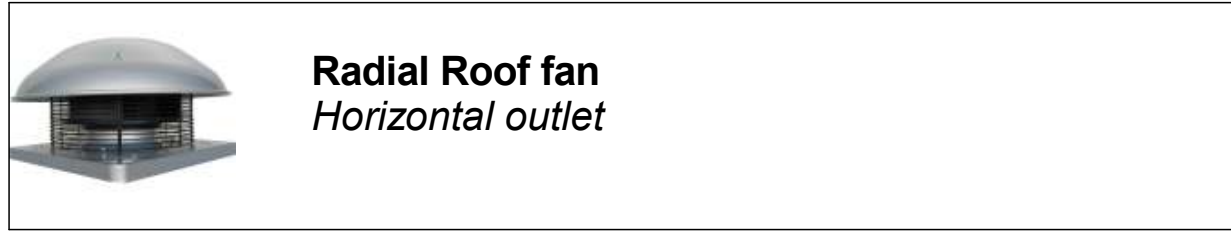
<b>DH 400-4 E</b>	
Art. No.	A10-40000
U[V]	230
f[Hz]	50
P[kW]	0.52
I[A]	2.43
n[1/min]	1385
C[μF]	12
tR[°C]	45
dpst[Pa]	-
Delta I[%]	16
Ia/In	2.65
IP	54
Weight[kG]	22
Wir. diagr.	01.024

○ Sound power level  
 LwA8[dBA]

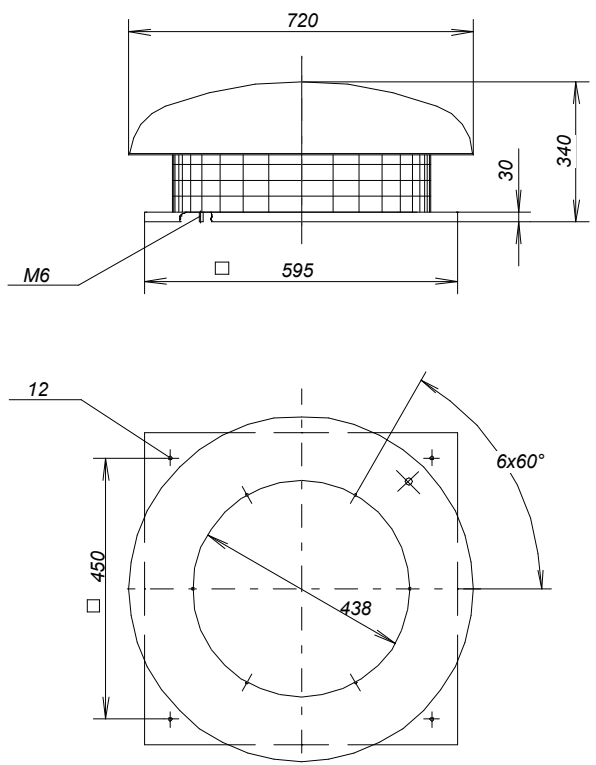
**Octave sound power level**

f[Hz]	125	250	500	1000	2000	4000	8000
LwA8[dBA]:	62	68	72	73	72	65	56
LwA5[dBA]:	57	62	63	66	68	61	54

Wednesday, 23.July 2008



### DH 400-4 E



Wednesday, 23.July 2008

Pos.	Pieces	Description	Price																														
		<p><i>Rosenberg radial roof fans                      DH / DHW Series, horizontal outlet</i></p> <p><i>Base frame with bolts for tightening of inlet accessories and rectangular inlet cone made from galvanized steel; from size 560 -710 additionally plastic coated. Rain hood up to size 500 made from seawater resistant aluminium, from size 560 from galvanized steel. Motor supporting plate with integrated protection guard made from plastic coated round bar steel.</i></p> <p><i>Fans are equipped with backward curved high efficiency plastic impellers up to size 450, from size 450 W made from seawater resistant aluminium, mounted onto the rotor of a speed controllable external rotor motor. Balanced on two levels according to quality level G 2.5 DIN/ISO1940. Motor closed, protection class IP 44/54 with protection against humidity and thermal contacts wired in windings from size 355.</i></p> <p><i>Maintenance free ball bearings, closed on both sides, sealed for life. Easy access to the terminal box (not connected) in IP 54 under rain hood.</i></p> <p><i>Documentation:                      Manufacturers declaration and operating instruction are according to machinery directive 89/392/EEC, CE identification in accordance to EMC-directive 89/336/EEC and low voltage directive 73/23/EEC. Motor operating instruction are available from motor manufacturer.</i></p> <p><b>Nominal data</b></p> <table> <tr> <td>Type</td> <td>DH 400-4 E</td> </tr> <tr> <td>Article no.</td> <td>A10-40000</td> </tr> <tr> <td>Voltage[V]</td> <td>230</td> </tr> <tr> <td>Frequency[Hz]</td> <td>50</td> </tr> <tr> <td>Power P1[kW]</td> <td>0.52</td> </tr> <tr> <td>Current I[A]</td> <td>2.43</td> </tr> <tr> <td>Speed n[1/min]</td> <td>1385</td> </tr> <tr> <td>Capacitor C[µF]</td> <td>12</td> </tr> <tr> <td>Max. air temp.tR[°C]</td> <td>45</td> </tr> <tr> <td>Min. pressure dpst[Pa]</td> <td>-</td> </tr> <tr> <td>Delta I[%]</td> <td>16</td> </tr> <tr> <td>Startup current Ia/In</td> <td>2.65</td> </tr> <tr> <td>Protection-mode</td> <td>IP 54</td> </tr> <tr> <td>Weight[kg]</td> <td>22</td> </tr> <tr> <td>wiring diagram</td> <td>01.024</td> </tr> </table>	Type	DH 400-4 E	Article no.	A10-40000	Voltage[V]	230	Frequency[Hz]	50	Power P1[kW]	0.52	Current I[A]	2.43	Speed n[1/min]	1385	Capacitor C[µF]	12	Max. air temp.tR[°C]	45	Min. pressure dpst[Pa]	-	Delta I[%]	16	Startup current Ia/In	2.65	Protection-mode	IP 54	Weight[kg]	22	wiring diagram	01.024	
Type	DH 400-4 E																																
Article no.	A10-40000																																
Voltage[V]	230																																
Frequency[Hz]	50																																
Power P1[kW]	0.52																																
Current I[A]	2.43																																
Speed n[1/min]	1385																																
Capacitor C[µF]	12																																
Max. air temp.tR[°C]	45																																
Min. pressure dpst[Pa]	-																																
Delta I[%]	16																																
Startup current Ia/In	2.65																																
Protection-mode	IP 54																																
Weight[kg]	22																																
wiring diagram	01.024																																

Wednesday, 23.July 2008



**Radial Roof fan**  
*Horizontal outlet*

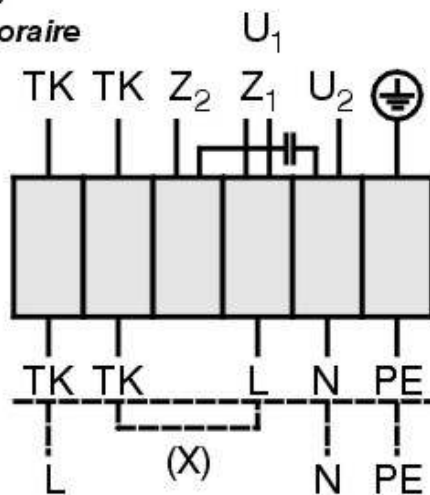
**DH 400-4 E**

Einphasenwechselstrommotor mit Betriebskondensator und Thermokontakt. Bei Verwendung von RE Steuergeräten TK mit der Wicklung in Reihe schalten. Hierfür Brücke (x) einlegen und gestrichelt gezeichnete Anschlüsse belegen.

Single phase A.C. motor with operating capacitor and thermal contact. Thermal contact wired in series with windings if RE controllers are used. Insert bridge (x) and wire connections shown as dash-line on the drawing.

*Moteur monophasé avec condensateur permanent et thermovontact branché en série avec le bobinage en cas de brachement avec des régulateurs RE. Mettre un pont (x) et brancher toutes les connexions dessinées en hachuré.*

Rechtslauf  
 clockwise  
 rotation horaire



- U<sub>1</sub> braun / brown / brun
- U<sub>2</sub> blau / blue / bleu
- Z<sub>1</sub> schwarz / black / noir
- Z<sub>2</sub> orange / orange / orange
- TK weiß / white / blanc
- PE gelb-grün  
yellow-green  
jaun-vert

01.024

TK3-20010