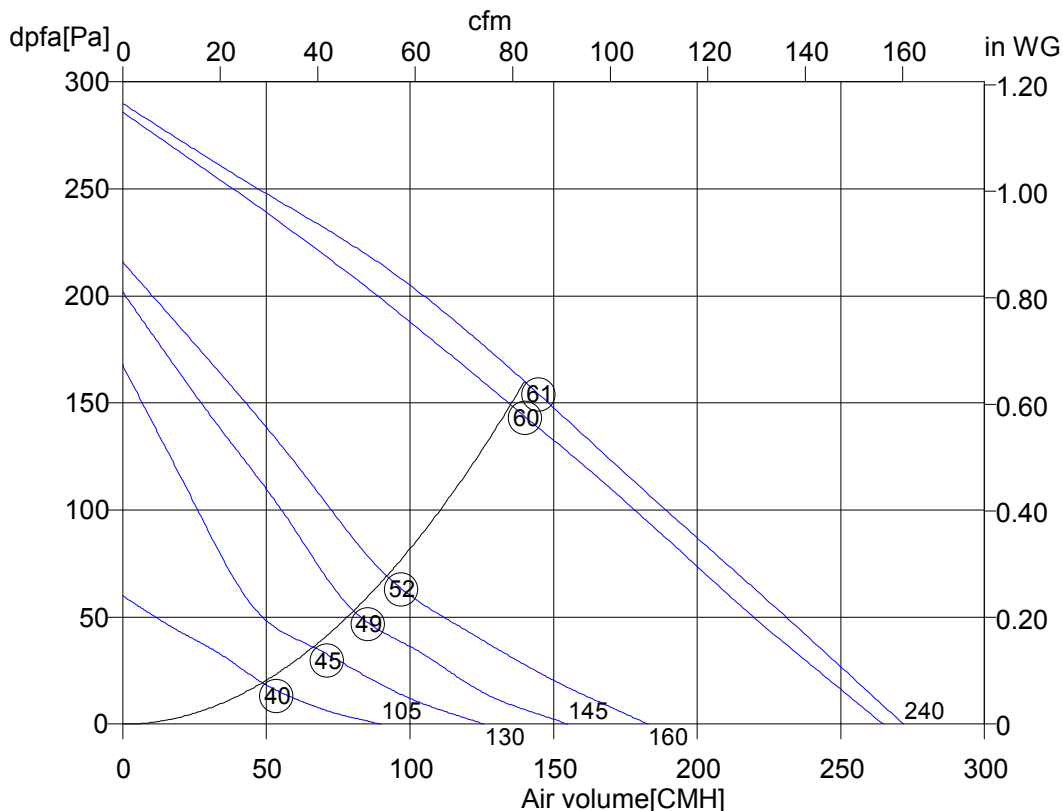




Monday, 10. September 2012



Tube fan



RS 100 L	
Art. No.	F00-10060
U[V]	230
f[Hz]	50
P[kW]	0.033
I[A]	0.14
n[1/min]	2250
C[μF]	3
tR[°C]	70
dpst[Pa]	-
Delta I[%]	-
Ia/In	1.5
IP	44
Weight[kG]	2.4
Wir. diagr.	01.009

○ Sound power level LwA2[dBA]

Octave sound power level

f[Hz]	125	250	500	1000	2000	4000	8000
LwA2[dBA]:	42	51	53	56	53	47	36
LwA5[dBA]:	41	52	55	54	52	49	39
LwA6[dBA]:	42	53	54	54	53	49	40

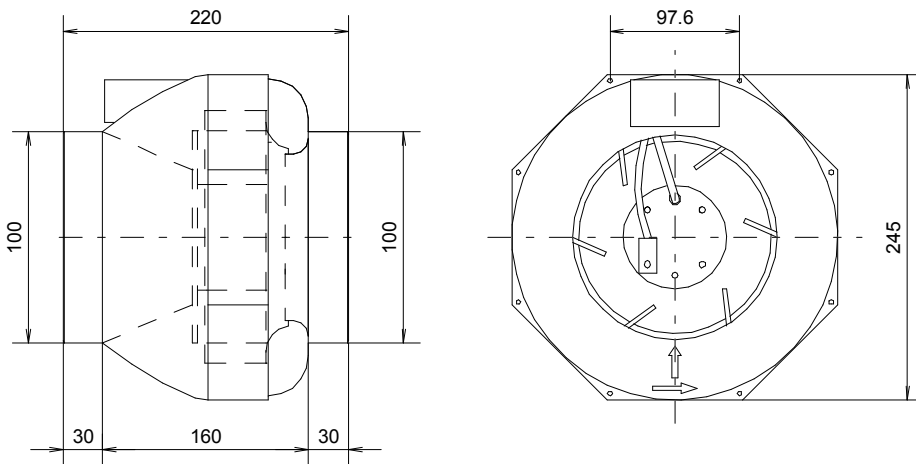


Monday, 10. September 2012



Tube fan

RS 100 L



Monday, 10. September 2012

Pos.	Pieces	Description	Price																														
		<p>Rosenberg tube fans RS and R Series, direct driven</p> <p>The casing of the RS series is made from shock-proof, recyclable black plastic (PA 6.6 + GF) with integrated terminal box and the possibility to mount a bracket.</p> <p>Casing of the R-series up to size 315 made from galvanized steel, casing of size 355 made from aluminium. Electrical connection via terminal box fitted to the outside. Inlet and outlet side with duct connection for standard round ducts can be mounted in any position.</p> <p>Both ranges with backward curved impellers made from plastic, size 355 L made from aluminium and with speed controllable external rotor motor, fitted into the impeller. The fans are balanced according to quality level G 2.5, DIN/ISO 1940 on two levels.</p> <p>Motor closed, protection class IP 44/54, with thermal contacts, wired in series in motor windings from size R 355 L. Maintenance free ball bearings, closed on both sides, sealed for life.</p> <p>Documentation: Declaration of incorporation and operating instruction are according to Machinery Directive 2006/42/EC, CE identification in accordance to EMC-directive 2004/108/EC and Low Voltage Directive 2006/95/EC. Motor operating instruction is available from motor manufacturer.</p> <p>Nominal data</p> <table border="0"> <tr><td>Type</td><td>RS 100 L</td></tr> <tr><td>Article no.</td><td>F00-10060</td></tr> <tr><td>Voltage[V]</td><td>230</td></tr> <tr><td>Frequency[Hz]</td><td>50</td></tr> <tr><td>Power P1[kW]</td><td>0.033</td></tr> <tr><td>Current I[A]</td><td>0.14</td></tr> <tr><td>Speed n[1/min]</td><td>2250</td></tr> <tr><td>Capacitor C[µF]</td><td>3</td></tr> <tr><td>Max. air temp.tR[°C]</td><td>70</td></tr> <tr><td>Min. pressure dpst[Pa]</td><td>-</td></tr> <tr><td>Delta I[%]</td><td>-</td></tr> <tr><td>Startup current Ia/In</td><td>1.5</td></tr> <tr><td>Protection-mode</td><td>IP 44</td></tr> <tr><td>Weight[kg]</td><td>2.4</td></tr> <tr><td>wiring diagram</td><td>01.009</td></tr> </table>	Type	RS 100 L	Article no.	F00-10060	Voltage[V]	230	Frequency[Hz]	50	Power P1[kW]	0.033	Current I[A]	0.14	Speed n[1/min]	2250	Capacitor C[µF]	3	Max. air temp.tR[°C]	70	Min. pressure dpst[Pa]	-	Delta I[%]	-	Startup current Ia/In	1.5	Protection-mode	IP 44	Weight[kg]	2.4	wiring diagram	01.009	
Type	RS 100 L																																
Article no.	F00-10060																																
Voltage[V]	230																																
Frequency[Hz]	50																																
Power P1[kW]	0.033																																
Current I[A]	0.14																																
Speed n[1/min]	2250																																
Capacitor C[µF]	3																																
Max. air temp.tR[°C]	70																																
Min. pressure dpst[Pa]	-																																
Delta I[%]	-																																
Startup current Ia/In	1.5																																
Protection-mode	IP 44																																
Weight[kg]	2.4																																
wiring diagram	01.009																																



Monday, 10. September 2012



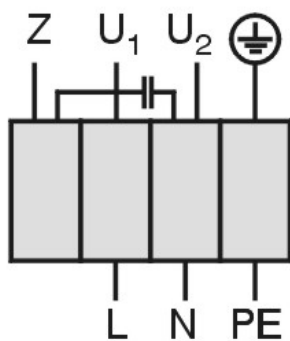
Tube fan

RS 100 L

Einphasenwechselstrommotor mit Betriebskondensator und Thermostatschalter.
Thermostatschalter intern mit der Wicklung in Reihe geschaltet.

Single phase A.C. motor with operating capacitor and thermostatic switch.
Thermostatic switch internal wired in series with windings.

***Moteur monophasé avec condensateur permanent et interrupteur
thermostatique en série avec le bobinage en cas de branchement***



U₁ blau / blue / bleu
U₂ schwarz / black / noir
Z braun / brown / brun
PE gelb-grün
yellow-green
jaun-vert

01.009

TK3-20005