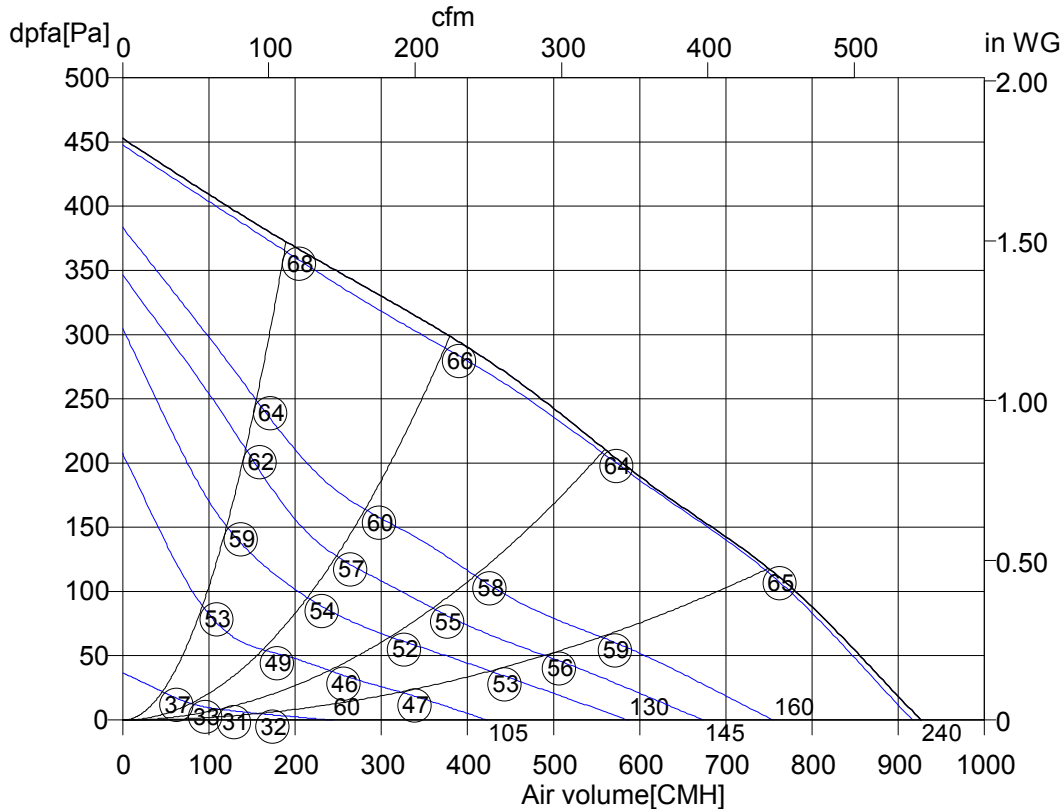


Thursday, 15.October 2015



Tube fan with casing made of plastic



RS 250	
Art. No.	F00-25051
U[V]	230
f[Hz]	50
P[kW]	0.115
I[A]	0.50
n[1/min]	2450
C[μF]	3
tR[°C]	50
dpst[Pa]	-
Delta I[%]	-
Ia/In	1.5
IP	44
Weight[kG]	3.4
Wir. diagr.	01.009
Overall eff [%]	27.7
Eff. Grade N	-
Power input [kW]	0.121
Air flow [m³/h]	496
Press. [Pa]	243
Speed [1/min]	-
Velocity [m/s]	2.78

○ Sound power level LwA6[dBA]

Data related to operating point

SFP=0.466 kW/m³

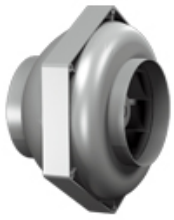
Actual Requested
Operating point

U[V]	240	230	160	145	130	105	60	240	
dV/dt[m³/h]	927	917	756	675	588	424	245	927	18000
dPt[Pa]	16.4	16.0	10.9	8.67	6.58	3.42	1.14	16.4	
dPfa[Pa]	0.199	0.195	0.132	0.105	0.079	0.041	0.013	0.199	75.0
I[A]	0.470	0.450	0.410	0.390	0.370	0.320	0.190	0.470	
P[kW]	0.120	0.109	0.069	0.059	0.050	0.034	0.011	0.120	
n[U/min]	2592	2563	2102	1872	1634	1212	675	2592	

Octave sound power level

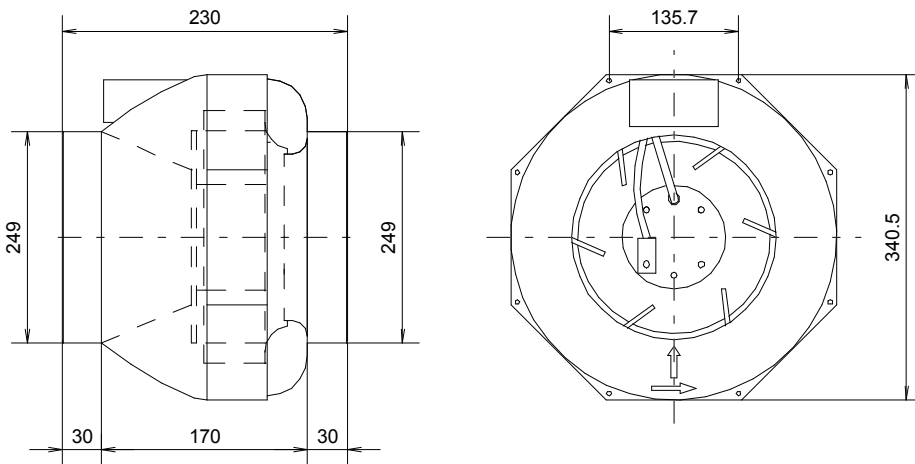
f[Hz]	125	250	500	1000	2000	4000	8000	Sum
LwA6[dBA]:	50	61	59	64	66	61	50	70
LwA5[dBA]:	50	60	63	65	65	60	50	70
LwA2[dBA]:	56	63	63	64	64	58	48	70

Thursday, 15. October 2015



Tube fan
with casing made of plastic

RS 250

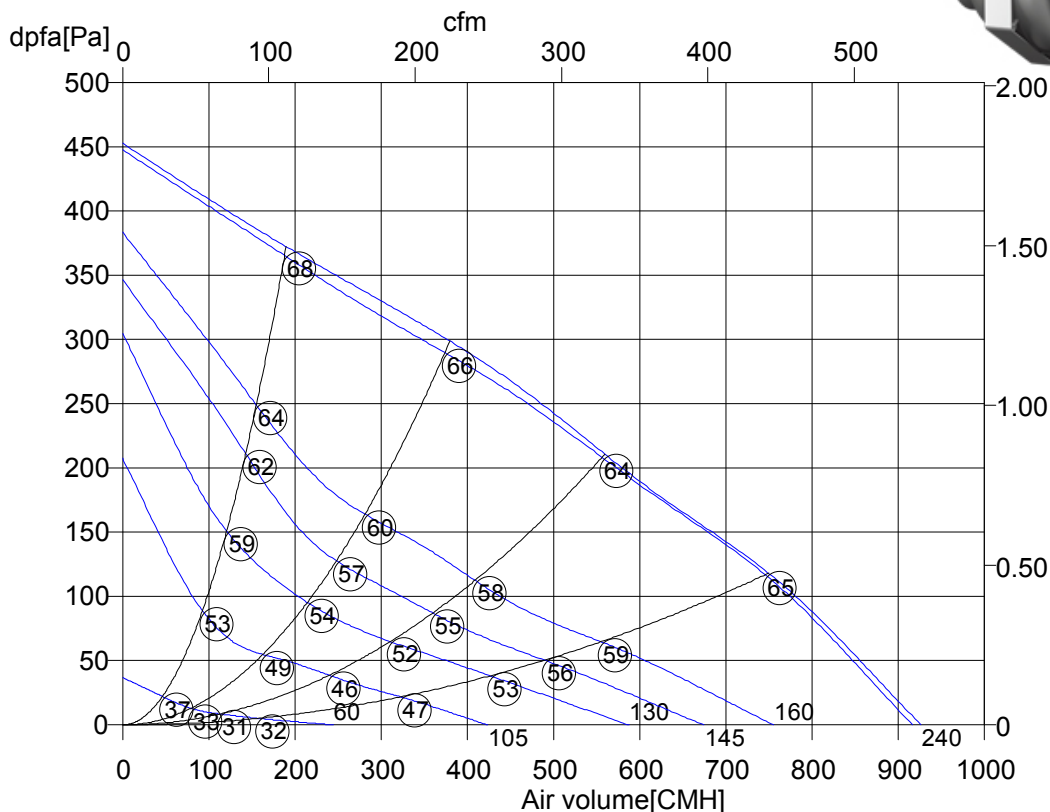


Thursday, 15.October 2015

Pos.	Pieces	Description	Price																														
		<p>Tube fans with casing made of plastic</p> <p>The casing of the RS series is made from shock-proof, recyclable black plastic (PA 6.6 + GF) with integrated terminal box and the possibility to mount a bracket. Inlet and outlet side with duct connection for standard round ducts can be mounted in any position. Both ranges with backward curved impellers made from plastic, size 355 L made from aluminium and with speed controllable external rotor motor, fitted into the impeller. The fans are balanced according to quality level G 2.5, DIN/ISO 1940 on two levels. Motor closed, protection class IP 44/54, with thermal contacts, wired in series in motor windings from size R 355 L. Maintenance free ball bearings, closed on both sides, sealed for life.</p> <p>Documentation: Declaration of incorporation and operating instruction are according to Machinery Directive 2006/42/EC, CE identification in accordance to EMC-directive 2004/108/EC and Low Voltage Directive 2006/95/EC. Motor operating instruction is available from motor manufacturer.</p> <p>Nominal data</p> <table data-bbox="359 1456 877 1971"> <tr><td>Type</td><td>RS 250</td></tr> <tr><td>Article no.</td><td>F00-25051</td></tr> <tr><td>Voltage[V]</td><td>230</td></tr> <tr><td>Frequency[Hz]</td><td>50</td></tr> <tr><td>Power P1[kW]</td><td>0.115</td></tr> <tr><td>Current I[A]</td><td>0.50</td></tr> <tr><td>Speed n[1/min]</td><td>2450</td></tr> <tr><td>Capacitor C[µF]</td><td>3</td></tr> <tr><td>Max. air temp.tR[°C]</td><td>50</td></tr> <tr><td>Min. pressure dpst[Pa]</td><td>-</td></tr> <tr><td>Delta I[%]</td><td>-</td></tr> <tr><td>Startup current Ia/In</td><td>1.5</td></tr> <tr><td>Protection-mode</td><td>IP 44</td></tr> <tr><td>Weight[kg]</td><td>3.4</td></tr> <tr><td>wiring diagram</td><td>01.009</td></tr> </table>	Type	RS 250	Article no.	F00-25051	Voltage[V]	230	Frequency[Hz]	50	Power P1[kW]	0.115	Current I[A]	0.50	Speed n[1/min]	2450	Capacitor C[µF]	3	Max. air temp.tR[°C]	50	Min. pressure dpst[Pa]	-	Delta I[%]	-	Startup current Ia/In	1.5	Protection-mode	IP 44	Weight[kg]	3.4	wiring diagram	01.009	
Type	RS 250																																
Article no.	F00-25051																																
Voltage[V]	230																																
Frequency[Hz]	50																																
Power P1[kW]	0.115																																
Current I[A]	0.50																																
Speed n[1/min]	2450																																
Capacitor C[µF]	3																																
Max. air temp.tR[°C]	50																																
Min. pressure dpst[Pa]	-																																
Delta I[%]	-																																
Startup current Ia/In	1.5																																
Protection-mode	IP 44																																
Weight[kg]	3.4																																
wiring diagram	01.009																																

Thursday, 15.October 2015

Tube fan
 with casing made of plastic



RS 250	
Art. No.	F00-25051
U[V]	230
f[Hz]	50
P[kW]	0.115
I[A]	0.50
n[1/min]	2450
C[μF]	3
tR[°C]	50
dpst[Pa]	-
Delta I[%]	-
Ia/In	1.5
IP	44
Weight[kG]	3.4
Wir. diagr.	01.009

○ Sound power level
 LwA6[dBA]

