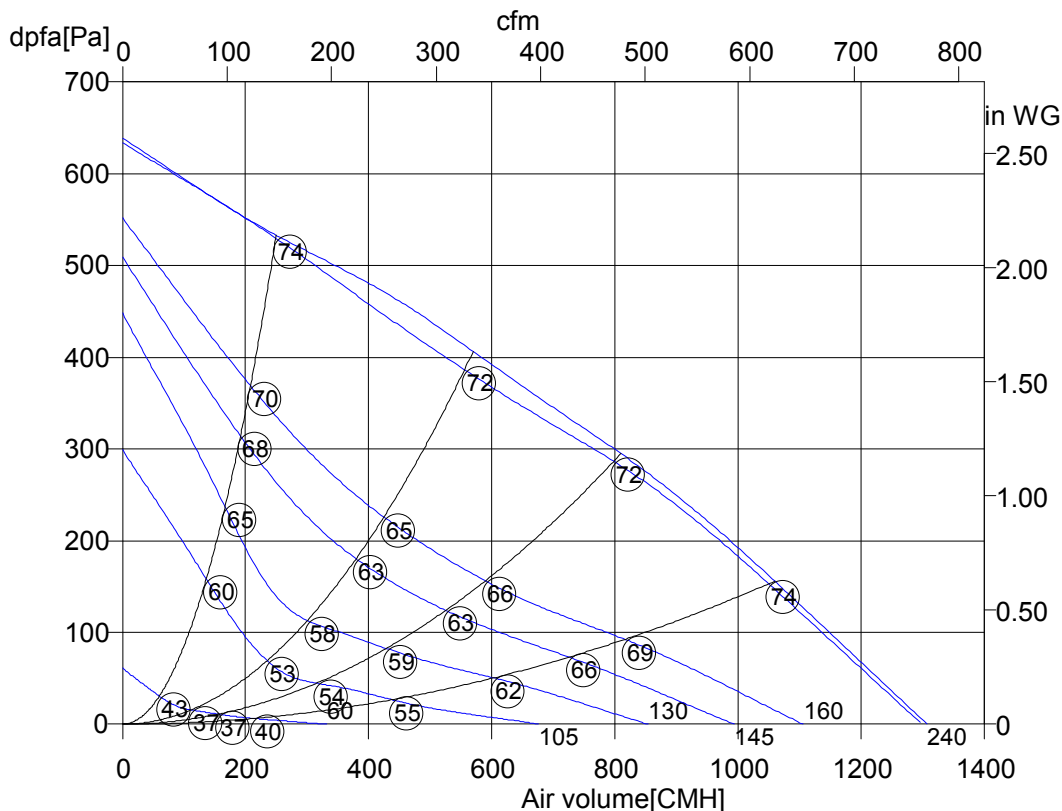




Monday, 10. September 2012



### Tube fan



○ Sound power level LwA2[dBA]

RS 315	
Art. No.	F00-31551
U[V]	230
f[Hz]	50
P[kW]	0.22
I[A]	0.95
n[1/min]	2540
C[μF]	5
tR[°C]	55
dpst[Pa]	-
Delta I[%]	14
Ia/In	1.9
IP	44
Weight[kG]	5.7
Wir. diagr.	01.009

#### Octave sound power level

f[Hz]	125	250	500	1000	2000	4000	8000
LwA2[dBA]:	-10	-7	-5	-5	-6	-12	-25
LwA5[dBA]:	-19	-10	-5	-5	-6	-7	-14
LwA6[dBA]:	-20	-11	-9	-6	-3	-6	-13

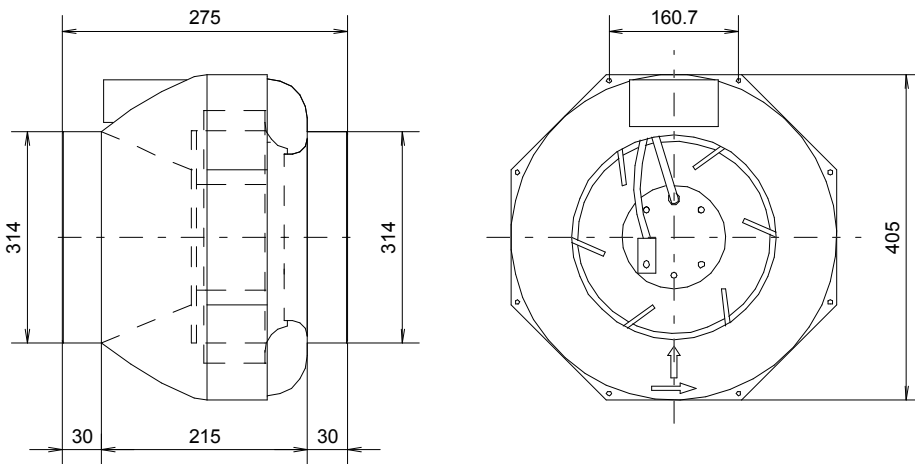


Monday, 10. September 2012



**Tube fan**

## RS 315



Monday, 10. September 2012

Pos.	Pieces	Description	Price																														
		<p>Rosenberg tube fans RS and R Series, direct driven</p> <p>The casing of the RS series is made from shock-proof, recyclable black plastic (PA 6.6 + GF) with integrated terminal box and the possibility to mount a bracket.</p> <p>Casing of the R-series up to size 315 made from galvanized steel, casing of size 355 made from aluminium. Electrical connection via terminal box fitted to the outside. Inlet and outlet side with duct connection for standard round ducts can be mounted in any position.</p> <p>Both ranges with backward curved impellers made from plastic, size 355 L made from aluminium and with speed controllable external rotor motor, fitted into the impeller. The fans are balanced according to quality level G 2.5, DIN/ISO 1940 on two levels.</p> <p>Motor closed, protection class IP 44/54, with thermal contacts, wired in series in motor windings from size R 355 L. Maintenance free ball bearings, closed on both sides, sealed for life.</p> <p>Documentation:                      Declaration of incorporation and operating instruction are according to Machinery Directive 2006/42/EC, CE identification in accordance to EMC-directive 2004/108/EC and Low Voltage Directive 2006/95/EC. Motor operating instruction is available from motor manufacturer.</p> <p><b>Nominal data</b></p> <table data-bbox="359 1464 890 1973"> <tr><td>Type</td><td>RS 315</td></tr> <tr><td>Article no.</td><td>F00-31551</td></tr> <tr><td>Voltage[V]</td><td>230</td></tr> <tr><td>Frequency[Hz]</td><td>50</td></tr> <tr><td>Power P1[kW]</td><td>0.22</td></tr> <tr><td>Current I[A]</td><td>0.95</td></tr> <tr><td>Speed n[1/min]</td><td>2540</td></tr> <tr><td>Capacitor C[µF]</td><td>5</td></tr> <tr><td>Max. air temp.tR[°C]</td><td>55</td></tr> <tr><td>Min. pressure dpst[Pa]</td><td>-</td></tr> <tr><td>Delta I[%]</td><td>14</td></tr> <tr><td>Startup current Ia/In</td><td>1.9</td></tr> <tr><td>Protection-mode</td><td>IP 44</td></tr> <tr><td>Weight[kg]</td><td>5.7</td></tr> <tr><td>wiring diagram</td><td>01.009</td></tr> </table>	Type	RS 315	Article no.	F00-31551	Voltage[V]	230	Frequency[Hz]	50	Power P1[kW]	0.22	Current I[A]	0.95	Speed n[1/min]	2540	Capacitor C[µF]	5	Max. air temp.tR[°C]	55	Min. pressure dpst[Pa]	-	Delta I[%]	14	Startup current Ia/In	1.9	Protection-mode	IP 44	Weight[kg]	5.7	wiring diagram	01.009	
Type	RS 315																																
Article no.	F00-31551																																
Voltage[V]	230																																
Frequency[Hz]	50																																
Power P1[kW]	0.22																																
Current I[A]	0.95																																
Speed n[1/min]	2540																																
Capacitor C[µF]	5																																
Max. air temp.tR[°C]	55																																
Min. pressure dpst[Pa]	-																																
Delta I[%]	14																																
Startup current Ia/In	1.9																																
Protection-mode	IP 44																																
Weight[kg]	5.7																																
wiring diagram	01.009																																



Monday, 10. September 2012



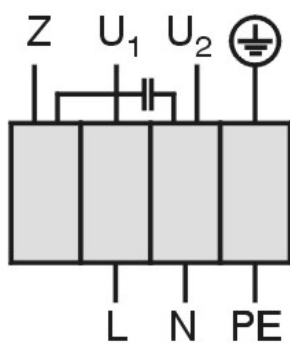
Tube fan

## RS 315

Einphasenwechselstrommotor mit Betriebskondensator und Thermostatschalter.  
Thermostatschalter intern mit der Wicklung in Reihe geschaltet.

**Single phase A.C. motor with operating capacitor and thermostatic switch.**  
**Thermostatic switch internal wired in series with windings.**

***Moteur monophasé avec condensateur permanent et interrupteur  
thermostatique en série avec le bobinage en cas de branchement***



U<sub>1</sub> blau / blue / bleu  
U<sub>2</sub> schwarz / black / noir  
Z braun / brown / brun  
PE gelb-grün  
yellow-green  
jaun-vert

01.009

TK3-20005