

Another possible accessories:



VM

Shutter motor driven



BG

Protection guard



FSL

Flat Roof Socket
(High Version)



SDS

Base for sloping roof
(up to 45°)



SSD

Sound absorber for
sloping roof
(up to 45°)



SDM

Sound insulation
module
(only for DVS version)



GS

ON/OFF-switch



RE/RTE/RTD

Control unit IP54
(not possible
with DVWN 560-710)

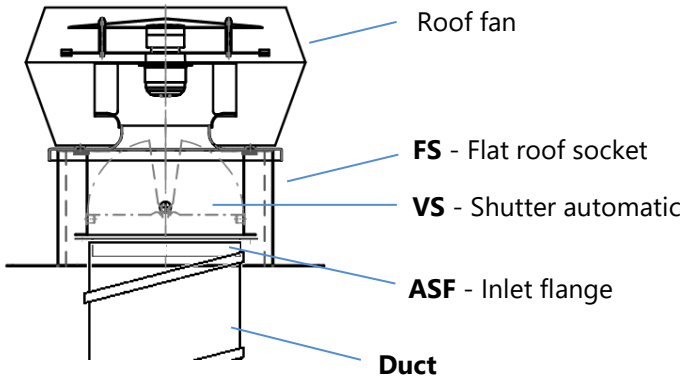


ED (230V)

Control unit electronically
(only to a limited extent)

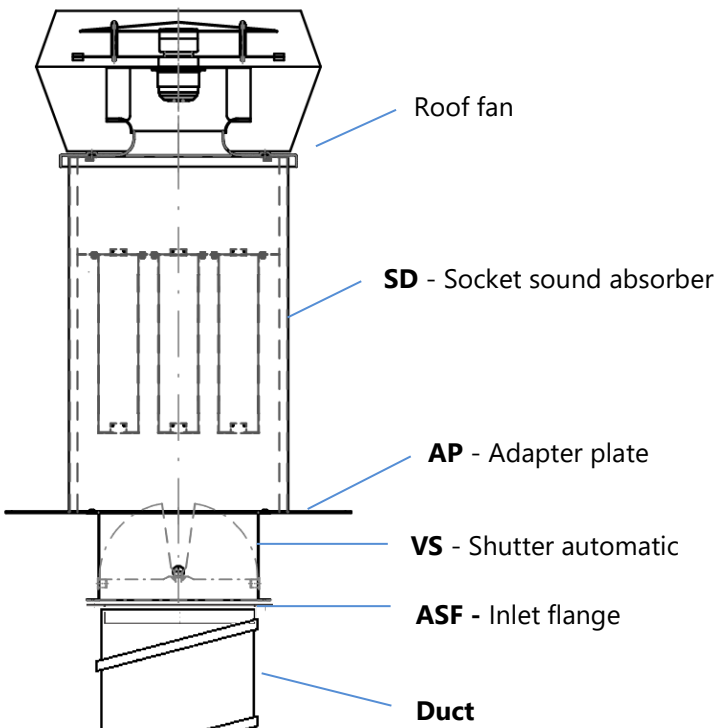
Installation notes with shutter automatic VS:

Installation in conjunction with Flat roof socket (FS)

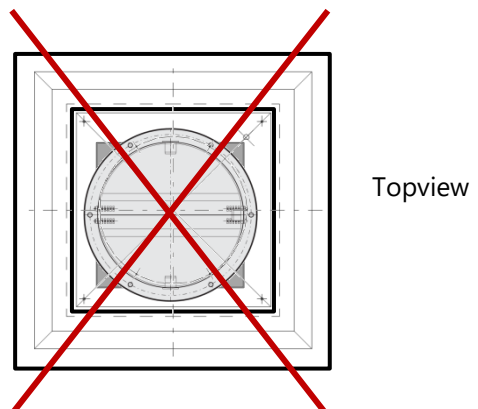
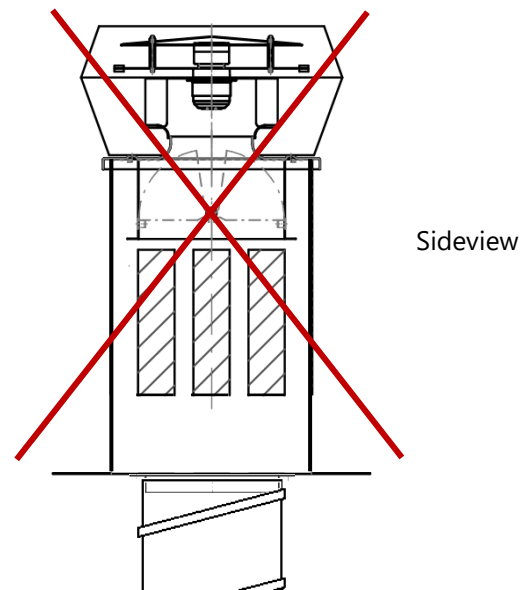


Installation in conjunction with Socket sound absorber (SD)

RIGHT



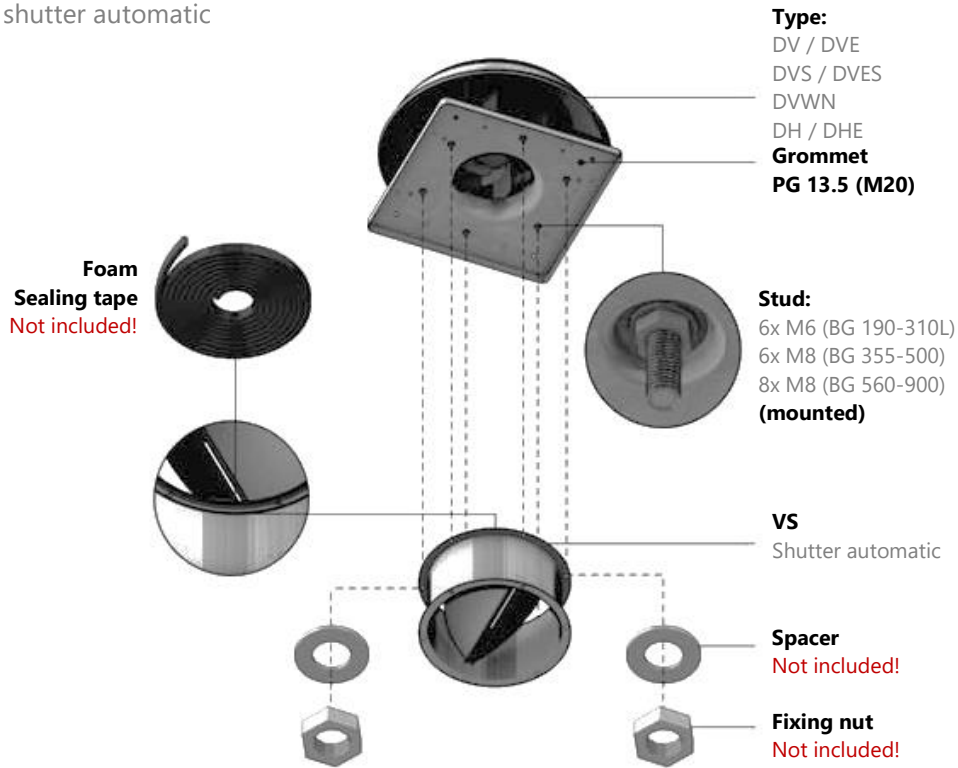
WRONG



Installation of accessories

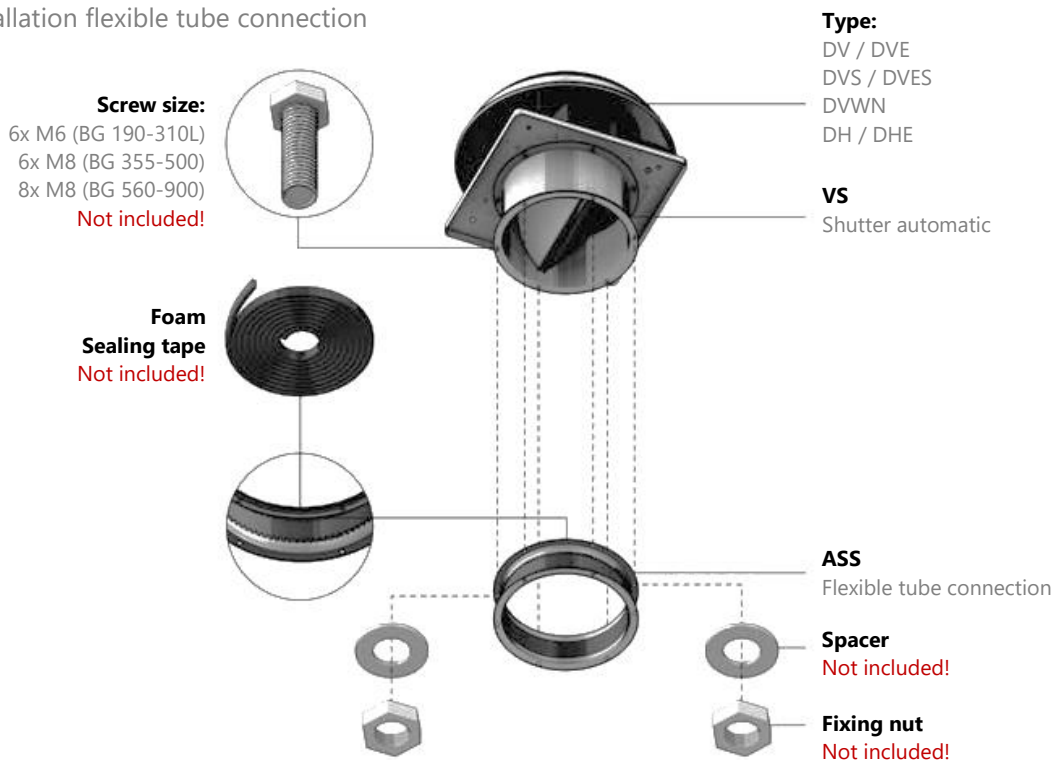
Step 1

Installation shutter automatic



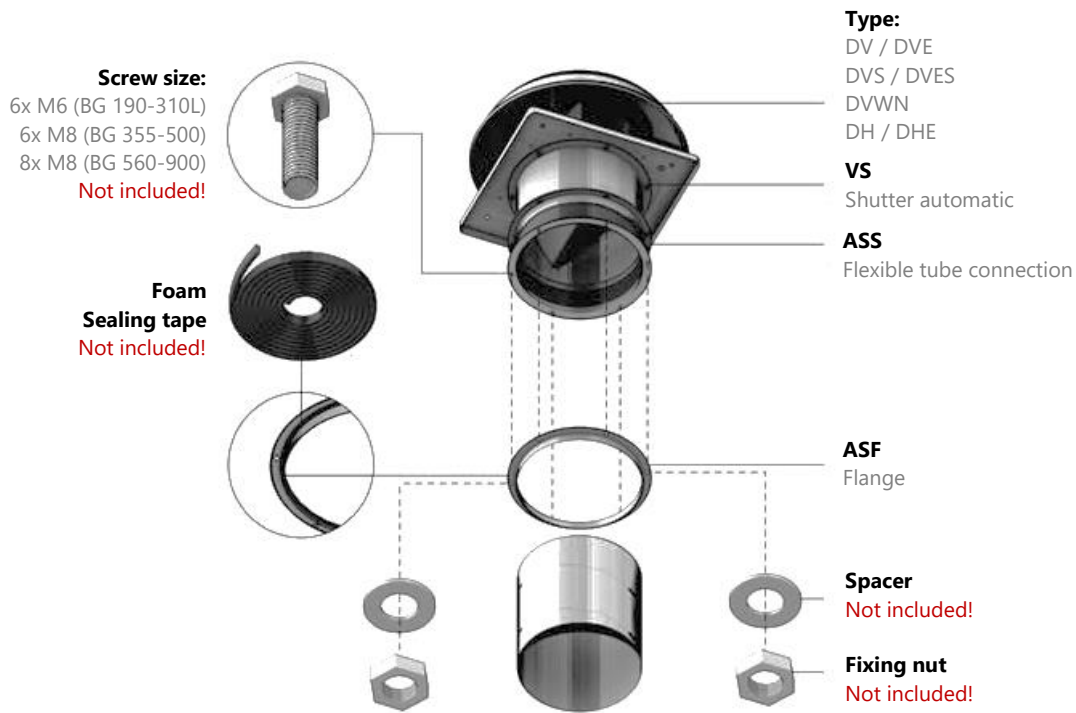
Step 2

Installation flexible tube connection



Step 3

Installation flange



Step 4

Installation Flat roof socket

