



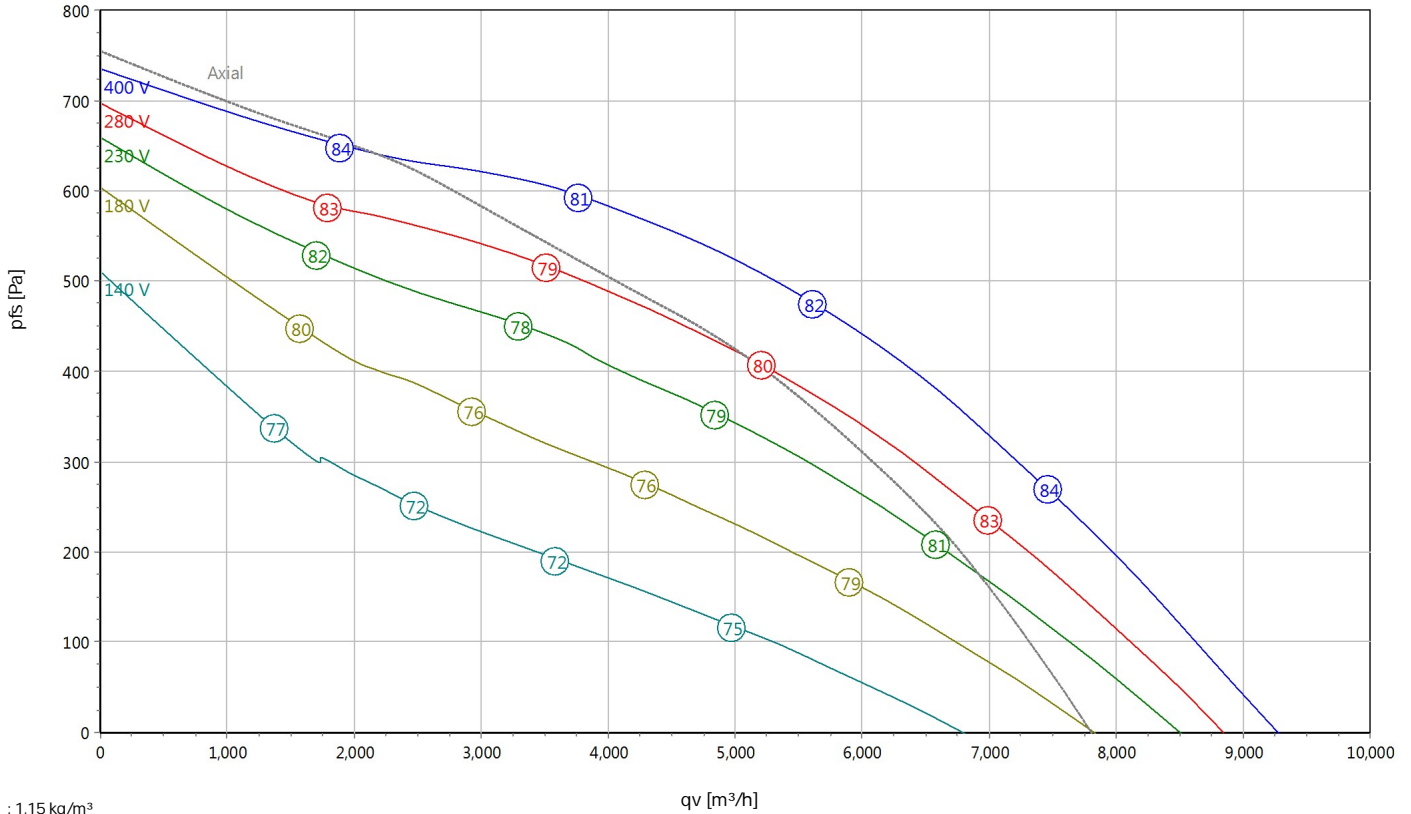
Box Fan

Type: **UNOR 67-500-4D.6HF**

Art.-No.: F08-50004



Curve:



: 1.15 kg/m³

ErP-Data:

(EU) Nr. 1253/2014		(Lot6)
qv	5808	m³/h
pfs	459	Pa
η _{e,fs}	57.2	%
P _e	1.29	kW
n	1394	r/min
N	56	
η _{e,fs} Lot11	57.2	%

Nominal Data:

U [V]	f [Hz]	C [μF]	P _e [kW]	I _N [A]	n _N [r/min]	t _r [°C]	k ₁₀ [m²s/h]	I _A / I _N	IP	m [kg]
400D	50	-	1.29	282	1395	60	240	5.3	IP54	62

I 13%

Sound Data:

Frequency		63Hz	125Hz	250Hz	500Hz	1kHz	2kHz	4kHz	8kHz	Distances	1 m	4 m
LwA(A,in) [dB(A)]	-7	-31	-20	-13	-13	-13	-16	-20	-26	LpA(A,in) [dB(A)]	-14	-24
LwA(A,out) [dB(A)]		-33	-7	-5	-7	-7	-13	-17	-22	LpA(A,out) [dB(A)]	-7	-17
LwA(D,cas) [dB(A)]	-21	-39	-23	-26	-37	-41	-51	-57	-61	LpA(D,cas) [dB(A)]	-28	-38

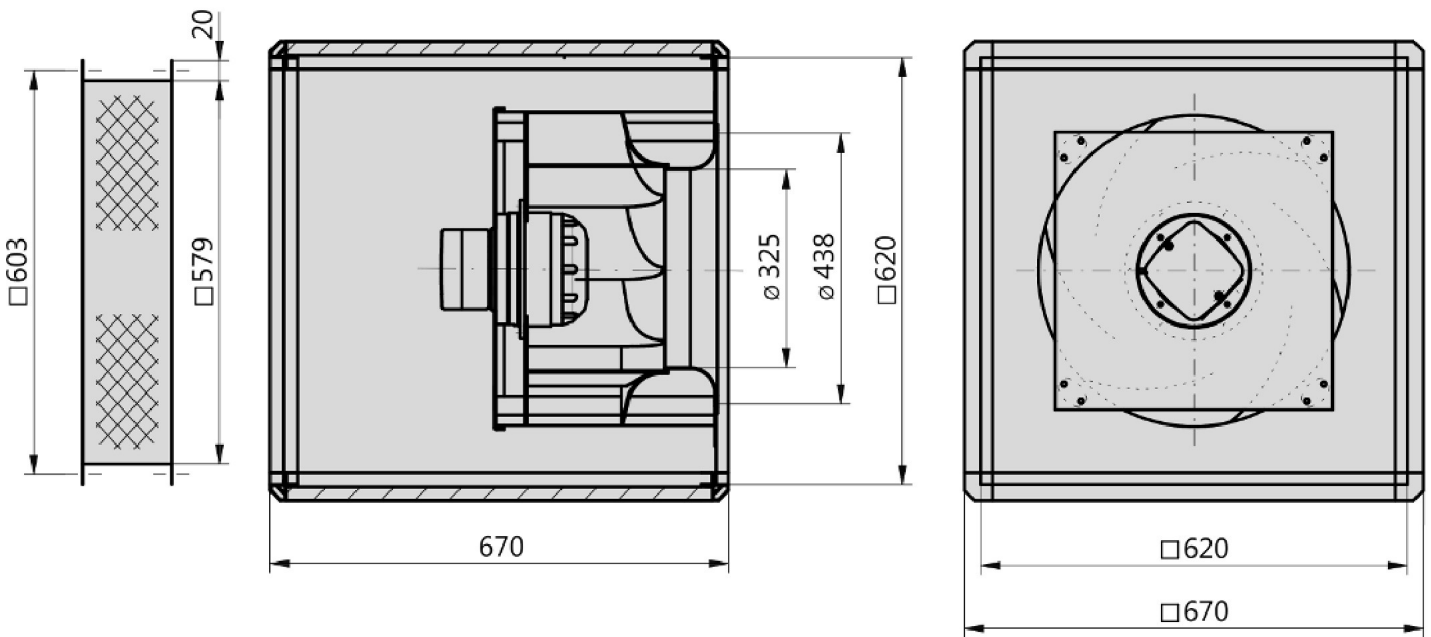
performance curve at radial air flow



Box Fan

Type: **UNOR 67-500-4D.6HF**

Art.-No.: F08-50004



Unobox

Boxfan with flexible outlet

The housing supporting frames are double chamber aluminium profiles with corners made of plastic and double skinned galvanized steel panels insulated with non-inflammable, noise and temperature insulating fiberglass mats. One side of the casing is open as standard. Wall thickness 20mm, $K=1,25 \text{ W/m}^2\text{K}$. As standard, the casing is open opposite to the inlet side. The removable side panels ensure highest possible flexibility of the air flow direction at the installation site. Impeller of the E-series (Revolution) made of black, UV-stabilized and long glass fibre reinforced Polypropylene (PP) with 7 backward curved, profiled blades and narrow efficiency optimized circumferential diffusor. Sound and weight optimized. Corrosion resistant and compact design. Air Flow orientated behaviour. Voltage controllable AC external rotor motor. Maintenance free ball bearings, closed on both sides with long-term lubrication. Motor coated black and/or die casted aluminum. Standard configuration with cable. Motor protection is guaranteed by thermal contacts, which are inlaid into the motor windings. These contacts protect the motor from being overloaded through phase failure, too high medium temperature or locked rotor. Isolation Class F. Motorized Impeller statically and dynamically balanced according to DIN ISO 21940-11 at least with quality level G6.3. The electrical connection is mounted on the motor by a terminal box. Air volume control is possible by the use of a frequency converter (max. 50Hz) or a step transformer (accessory).

Fan complies with the guidelines required (Machinery-, EMC- and Low Voltage Directive) to comply with installation and conformity declaration as well as CE marking.

Nominal Data:

Voltage [U]

400D V

Frequency [f]

50 Hz

Input power [P]

1.29 kW

Current [I]

2.82 A

Speed [n]

1395 r/min

Protection Mode

IP54

K-Factor

240

Weight [m]

62 kg

Dimensions [L / W / H]

670 mm / 670 mm / 670 mm

Contact:

Irish Ventilation & Filtration Ltd

Unit C, 390 Clonard Rd, Crumlin

- Dublin 12 Ireland

www.irishvent.ie

Type:

UNOR 67-500-4D.6HF

Article-No.:

F08-50004



Box Fan

Type: **UNOR 67-500-4D.6HF**

Art.-No.: F08-50004

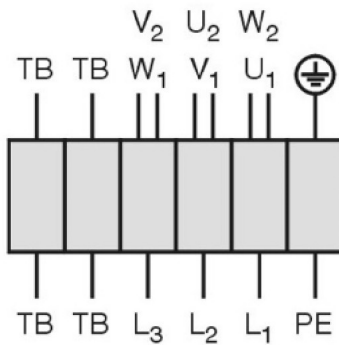


Drehstrommotor in Δ -Schaltung mit Thermostatschalter (TB).
Drehrichtungsänderung durch Vertauschen von 2 Phasen.

Three phase motor in delta connection with thermostatic switch (TB). Changing of rotation direction by interchanging of 2 phases.

Moteur triphasé branché en triangle avec interrupteur thermostatique (TB). Changement de sens de rotation par inversion de deux phases.

TK3-20004



U ₁	braun / brown / brun
V ₁	blau / blue / bleu
W ₁	schwarz / black / noir
U ₂	rot / red / rouge
V ₂	grau / grey / gris
W ₂	orange / orange / orange
TB	weiß / white / blanc
PE	gelb-grün yellow-green jaune-vert

01.006