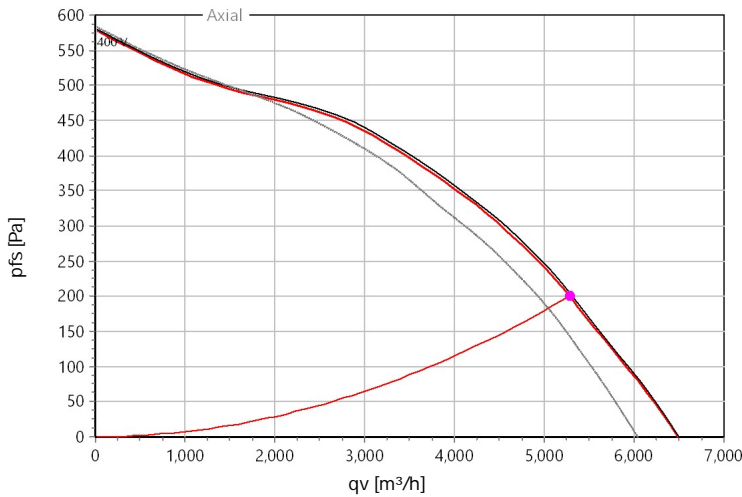




Type: **UNOR 67-450-4D.5HA**  
Art.-No.: F08-45023



**Curve:**



: 1.15 kg/m³

**Operating Point:**

qv	5280	m³/h
pfs	200	Pa
pfd	3	Pa
ηe.fs	46	%
ηe.tot	47	%
Pe	0.642	kW
I	1.3	A
n	1361	r/min
LwA A,out	78	dB(A)
U	396	V
v	2.11	m/s
SFP	438	Ws/m³
FEI	1.6	

**ErP-Data:**

(EU) Nr. 1253/2014	(Lot6)	
qv	4084	m³/h
pfs	350	Pa
ηe.fs	54.1	%
Pe	0.73	kW
n	1343	r/min
N	56	

**Nominal Data:**

I 4.4%

U [V]	f [Hz]	C [µF]	Pe [kW]	In [A]	nN [r/min]	tr [°C]	k10 [m²s/h]	IA / IN	IP	m [kg]
400D	50	-	0.73	1.47	1345	-25 .. +55	196	3.3	IP54	50

**Sound Data:**

Frequency	63Hz	125Hz	250Hz	500Hz	1kHz	2kHz	4kHz	8kHz	Distances	1 m	3 m
LwA(A,in) [dB(A)]	72	41	61	65	66	63	60	56	LpA(A,in) [dB(A)]	65	57
LwA(A,out) [dB(A)]	78	47	67	70	72	73	70	62	LpA(A,out) [dB(A)]	71	63
LwA(D,cas) [dB(A)]	56	37	53	51	46	42	39	36	LpA(D,cas) [dB(A)]	49	41

**Wiring Diagram:**

Drehstrommotor in Δ-Schaltung mit Thermostatschalter (TB).  
Drehrichtungsänderung durch Vertauschen von 2 Phasen.

**Three phase motor in delta connection with thermostatic switch (TB). Changing of rotation direction by interchanging of 2 phases.**

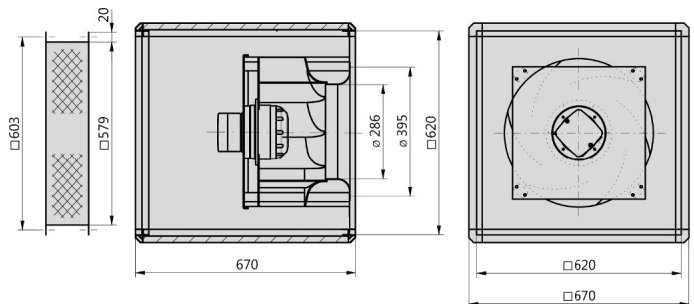
**Moteur triphasé branché en triangle avec interrupteur thermostatique (TB). Changement de sens de rotation par inversion de deux phases.**

TK3-20004

U<sub>1</sub> braun / brown / brun  
V<sub>1</sub> blau / blue / bleu  
W<sub>1</sub> schwarz / black / noir  
U<sub>2</sub> rot / red / rouge  
V<sub>2</sub> grau / grey / gris  
W<sub>2</sub> orange / orange / orange  
TB weiß / white / blanc  
PE gelb-grün  
yellow-green  
jaune-vert

01.006

**Drawing:**



performance curve at radial air flow