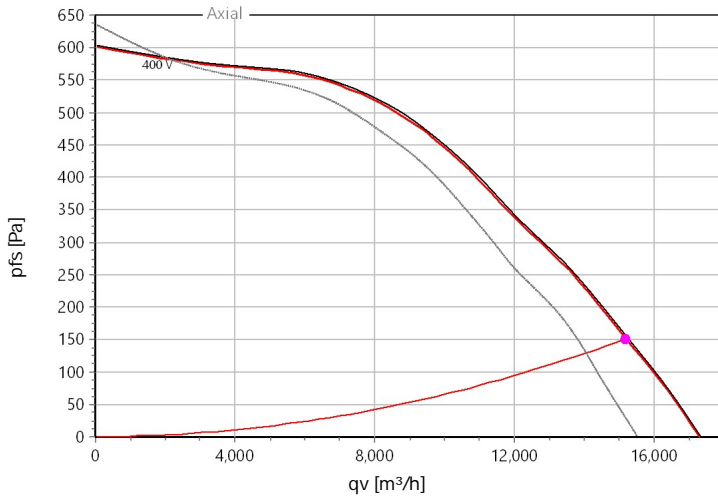




Type: **UNO 102-710-6D.7NA**  
Art.-No.: F08-71015



**Curve:**



: 1.15 kg/m³

**Operating Point:**

qv	15190	m³/h
p <sub>fs</sub>	151	Pa
p <sub>fd</sub>	4	Pa
η <sub>e,fs</sub>	36	%
η <sub>e,tot</sub>	37	%
P <sub>e</sub>	1.78	kW
I	4.3	A
n	939	r/min
L <sub>wA A,out</sub>	86	dB(A)
U	395	V
v	2.60	m/s
SFP	424	Ws/m³
FEI	1.2	

**ErP-Data:**

(EU) Nr. 1253/2014	(Lot6)	
qv	9316	m³/h
p <sub>fs</sub>	480	Pa
η <sub>e,fs</sub>	57.6	%
P <sub>e</sub>	2.16	kW
n	927	r/min
N	53	

**Nominal Data:**

I 7.5%

U [V]	f [Hz]	C [μF]	P <sub>e</sub> [kW]	I <sub>N</sub> [A]	n <sub>N</sub> [r/min]	t <sub>R</sub> [°C]	k <sub>10</sub> [m²/s/h]	I <sub>A</sub> / I <sub>N</sub>	IP	m [kg]
400D	50	-	2.17	4.79	930	-25 .. +70	305	4	IP54	146

**Sound Data:**

Frequency	63Hz	125Hz	250Hz	500Hz	1kHz	2kHz	4kHz	8kHz	Distances	1 m	3 m
L <sub>wA</sub> (A,in) [dB(A)]	80	61	68	72	73	73	72	61	L <sub>pA</sub> (A,in) [dB(A)]	73	65
L <sub>wA</sub> (A,out) [dB(A)]	86	67	74	78	80	79	77	71	L <sub>pA</sub> (A,out) [dB(A)]	79	71
L <sub>wA</sub> (D,cas) [dB(A)]	70	51	67	66	57	50	44	38	L <sub>pA</sub> (D,cas) [dB(A)]	63	55

**Wiring Diagram:**

Drehstrommotor in Δ-Schaltung mit Thermostatschalter (TB). Drehrichtungsänderung durch Vertauschen von 2 Phasen.

**Three phase motor in delta connection with thermostatic switch (TB). Changing of rotation direction by interchanging of 2 phases.**

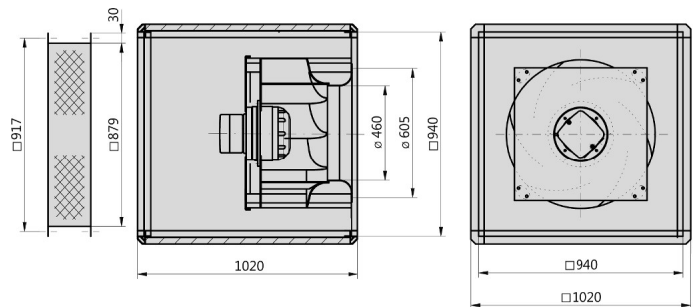
**Moteur triphasé branché en triangle avec interrupteur thermostatique (TB). Changement de sens de rotation par inversion de deux phases.**

U<sub>1</sub> braun / brown / brun  
V<sub>1</sub> blau / blue / bleu  
W<sub>1</sub> schwarz / black / noir  
U<sub>2</sub> rot / red / rouge  
V<sub>2</sub> grau / grey / gris  
W<sub>2</sub> orange / orange / orange  
TB weiß / white / blanc  
PE gelb-grün  
yellow-green  
jaune-vert

TK3-20004

01.006

**Drawing:**



performance curve at radial air flow