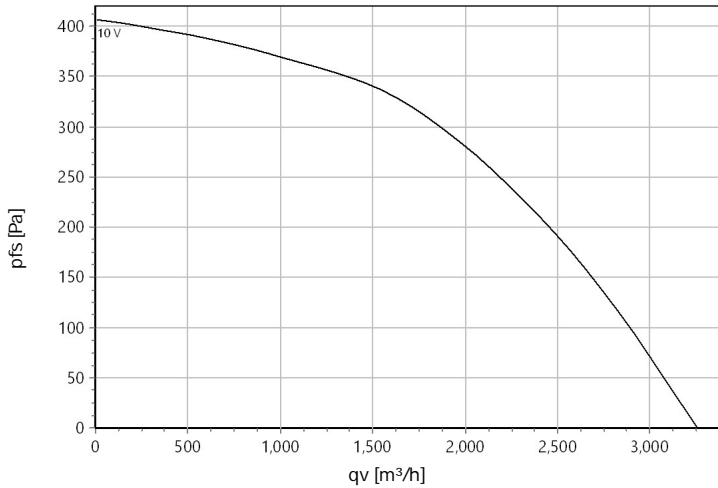




Type: **UNO-ME 50-355-G.4FA**  
Art.-No.: **F18-35531**



**Curve:**



: 1.15 kg/m³; Data @ 230 V

**ErP-Data:**

(EU) Nr. 1253/2014	(Lot6)	
q <sub>v</sub>	1920	m³/h
p <sub>fs</sub>	308	Pa
η <sub>ed,fs</sub>	47.9	%
P <sub>ed</sub>	0.34	kW
n	1500	r/min
N	55	
v	6.68	m/s
η <sub>ed,fs</sub> Lot11	53.7	%

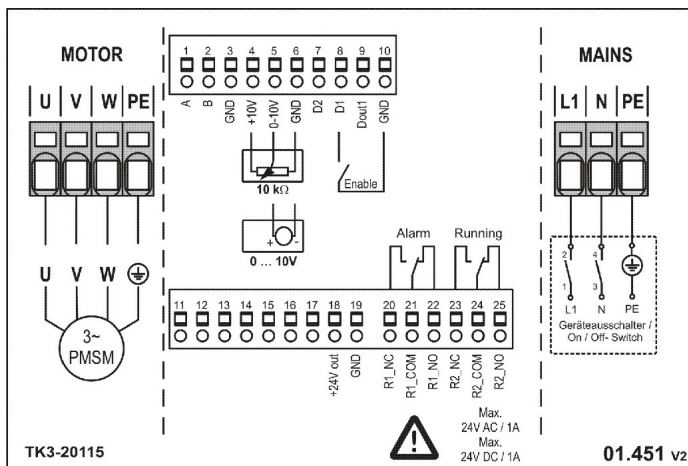
**Nominal Data:**

U [V]	f [Hz]	Data @ [V]	P <sub>ed</sub> [kW]	I <sub>N</sub> [A]	n <sub>N</sub> [r/min]	t <sub>R</sub> [°C]	k <sub>10</sub> [m²/s/h]	Eff.-Rating	IP	m [kg]
1~208-240	50/60	230	0.36	1.5	1500	120	-	IE4	IP 54	44

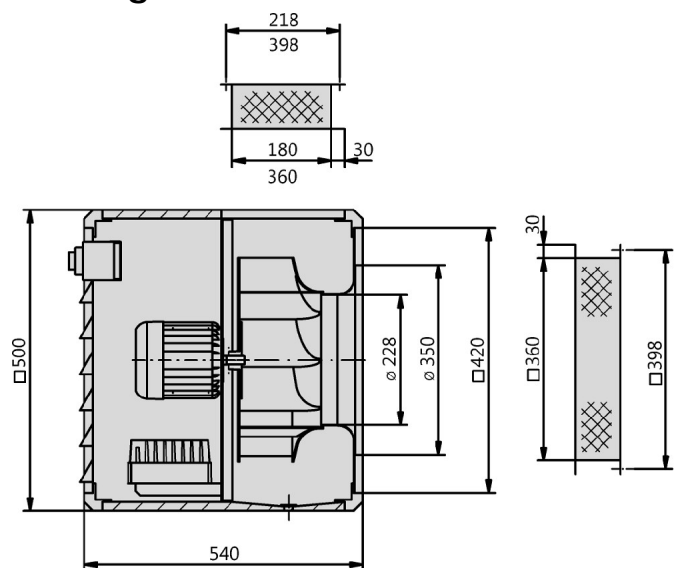
**Sound Data:**

Frequency		125Hz	250Hz	500Hz	1kHz	2kHz	4kHz	8kHz	Distances	1 m	4 m
L <sub>w</sub> (A,in) [dB(A)]	-2	-15	-10	-8	-9	-8	-13	-23	L <sub>p</sub> A(A,in) [dB(A)]	-9	-19
L <sub>w</sub> (A,out) [dB(A)]		-16	-8	-7	-5	-6	-14	-22	L <sub>p</sub> A(A,out) [dB(A)]	-7	-17
L <sub>w</sub> (D,cas) [dB(A)]	-15	-23	-19	-22	-24	-27	-30	-33	L <sub>p</sub> A(D,cas) [dB(A)]	-22	-32

**Wiring Diagram:**



**Drawing:**

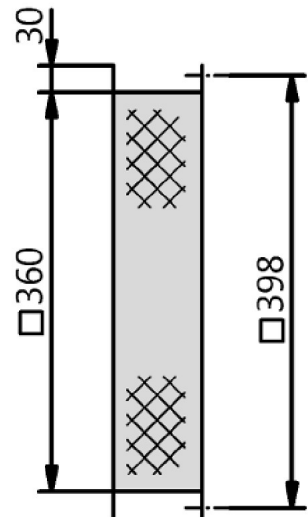
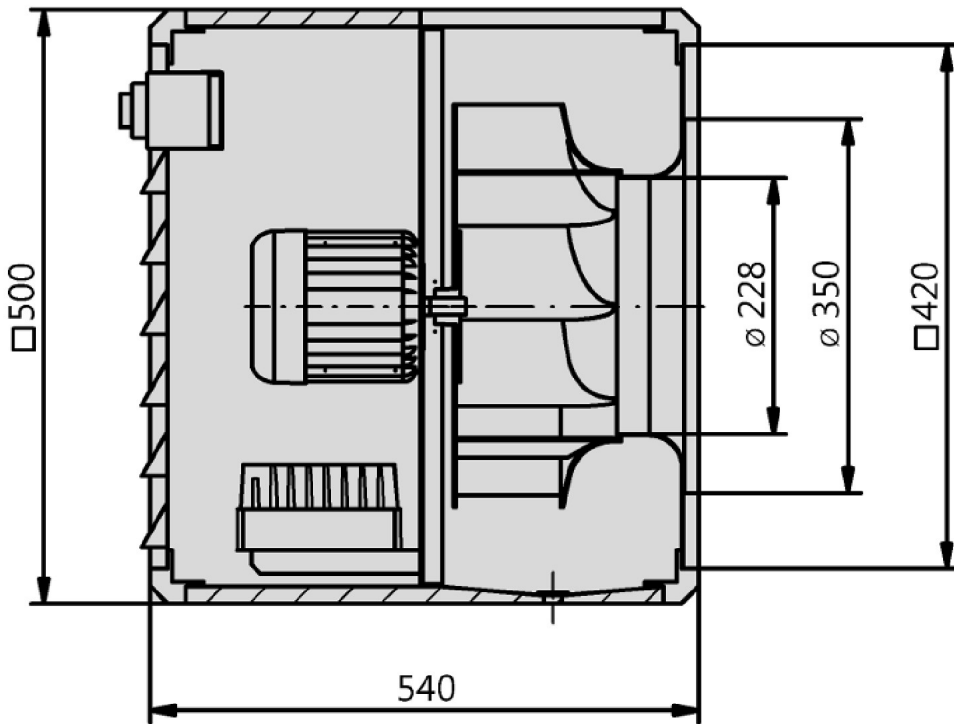
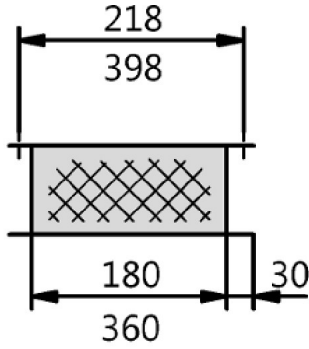


Max. ambient temperature 50°C



Type: **UNO-ME 50-355-G.4FA**

Art.-No.: F18-35531





Type: **UNO-ME 50-355-G.4FA**

Art.-No.: F18-35531

