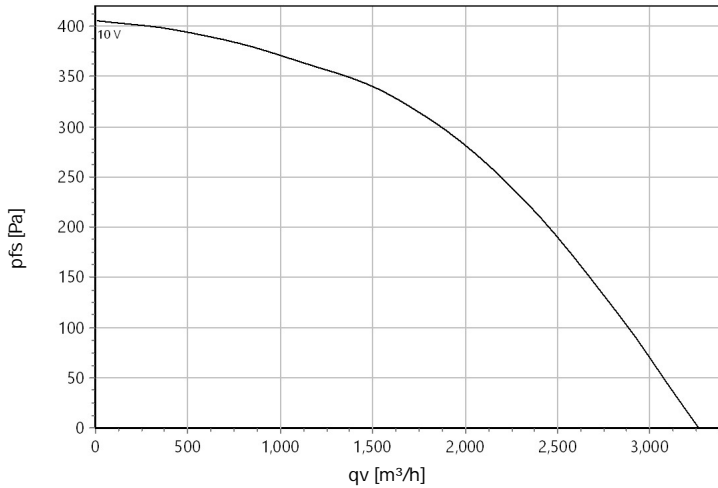




Type: **UNO-ME 50-355-G.4FA**
Art.-No.: **F18-35532**



Curve:



: 1.15 kg/m³; Data @ 400 V

ErP-Data:

(EU) Nr. 1253/2014	(Lot6)	
q _v	1652	m ³ /h
p _{fs}	340	Pa
η _{ed,fs}	50.6	%
P _{ed}	0.31	kW
n	1500	r/min
N	58	
v	5.75	m/s
η _{ed,fs} Lot11	54	%

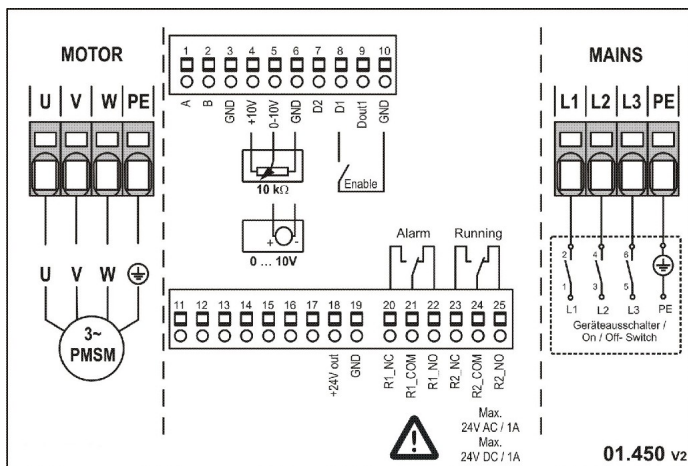
Nominal Data:

U [V]	f [Hz]	Data @ [V]	P _{ed} [kW]	I _N [A]	n _N [r/min]	t _R [°C]	k ₁₀ [m ² s/h]	Eff.-Rating	IP	m [kg]
3~380-480	50/60	400	0.36	0.7	1500	120	-	IE4	IP 54	44

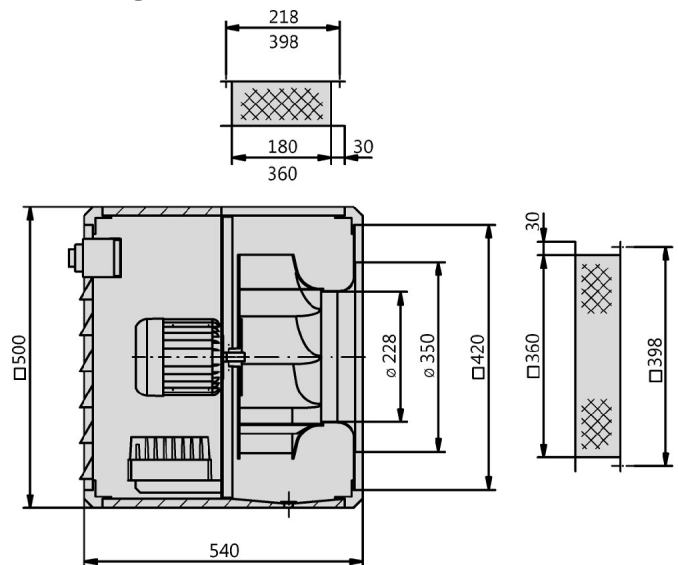
Sound Data:

Frequency		125Hz	250Hz	500Hz	1kHz	2kHz	4kHz	8kHz	Distances	1 m	4 m
L _w A(A,in) [dB(A)]	-2	-15	-10	-8	-9	-8	-13	-23	L _p A(A,in) [dB(A)]	-9	-19
L _w A(A,out) [dB(A)]		-16	-8	-7	-5	-6	-14	-22	L _p A(A,out) [dB(A)]	-7	-17
L _w A(D,cas) [dB(A)]	-15	-23	-19	-22	-24	-27	-30	-33	L _p A(D,cas) [dB(A)]	-22	-32

Wiring Diagram:



Drawing:

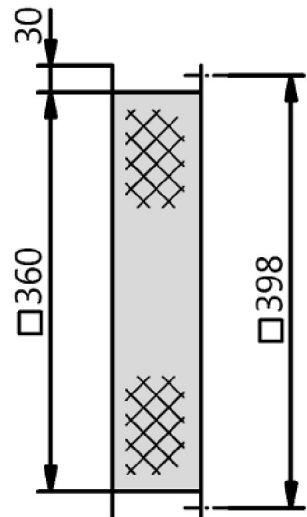
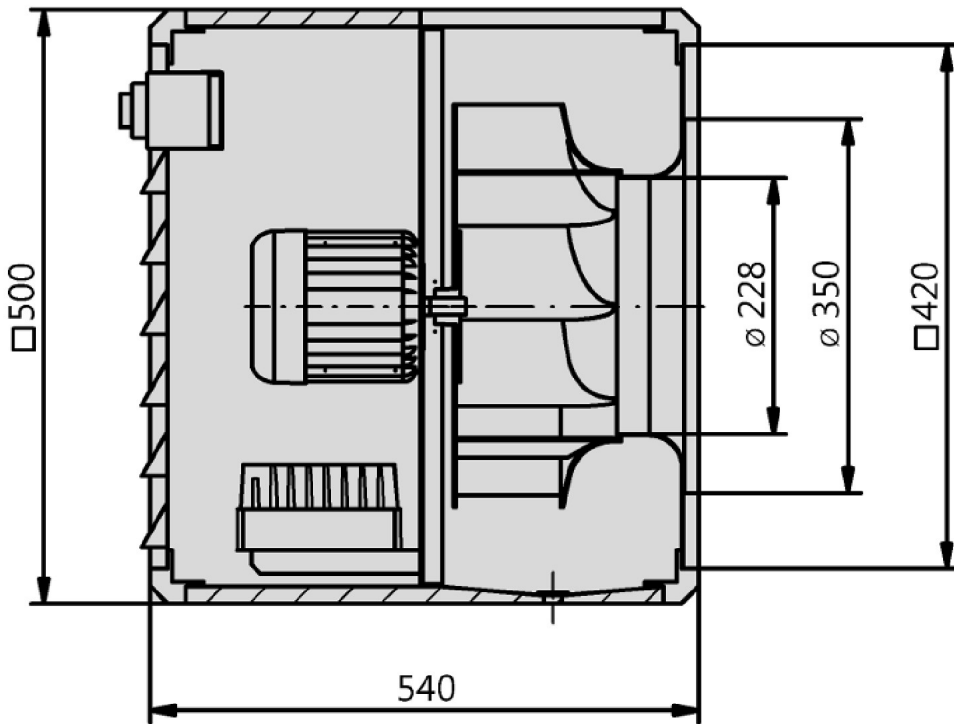
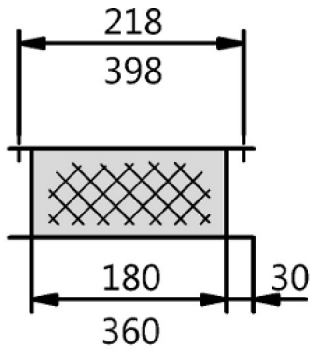


Max. ambient temperature 50°C



Type: **UNO-ME 50-355-G.4FA**

Art.-No.: F18-35532





Type: **UNO-ME 50-355-G.4FA**

Art.-No.: F18-35532

