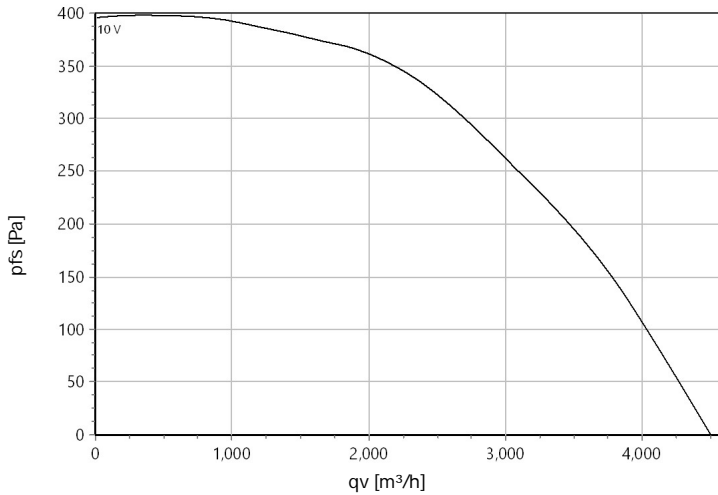




Type: **UNO-ME 67-400-G.5FF**
Art.-No.: **F18-40031**



Curve:



: 1.15 kg/m³; Data @ 230 V

ErP-Data:

(EU) Nr. 1253/2014	(Lot6)	
q _v	2451	m³/h
p _{fs}	341	Pa
η _{ed,fs}	55.8	%
P _{ed}	0.42	kW
n	1320	r/min
N	61	
v	4.05	m/s
η _{ed,fs} Lot11	62.2	%

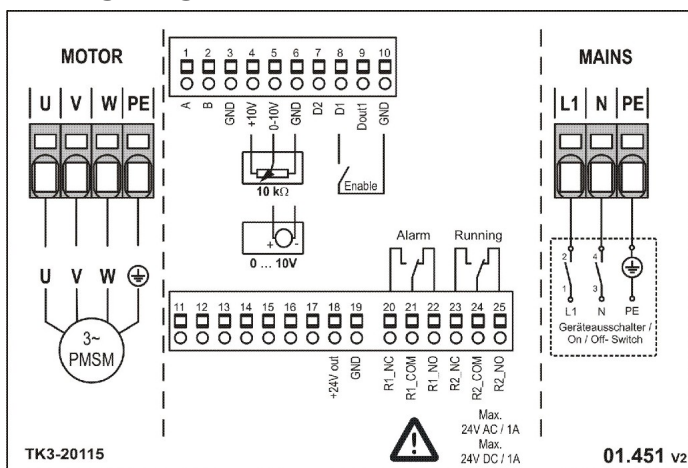
Nominal Data:

U [V]	f [Hz]	Data @ [V]	P _{ed} [kW]	I _N [A]	n _N [r/min]	t _R [°C]	k ₁₀ [m²s/h]	Eff.-Rating	IP	m [kg]
1~208-240	50/60	230	0.43	1.8	1320	120	-	IE4	IP 54	60

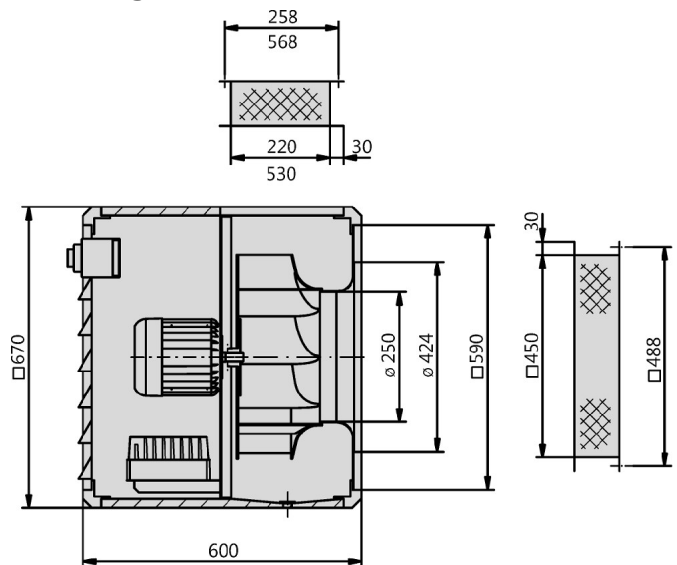
Sound Data:

Frequency		125Hz	250Hz	500Hz	1kHz	2kHz	4kHz	8kHz	Distances	1 m	4 m
LwA(A,in) [dB(A)]	-2	-17	-15	-12	-7	-6	-12	-23	LpA(A,in) [dB(A)]	-9	-19
LwA(A,out) [dB(A)]		-13	-12	-10	-4	-5	-8	-21	LpA(A,out) [dB(A)]	-7	-17
LwA(D,cas) [dB(A)]	-15	-19	-22	-24	-23	-25	-28	-36	LpA(D,cas) [dB(A)]	-22	-32

Wiring Diagram:



Drawing:

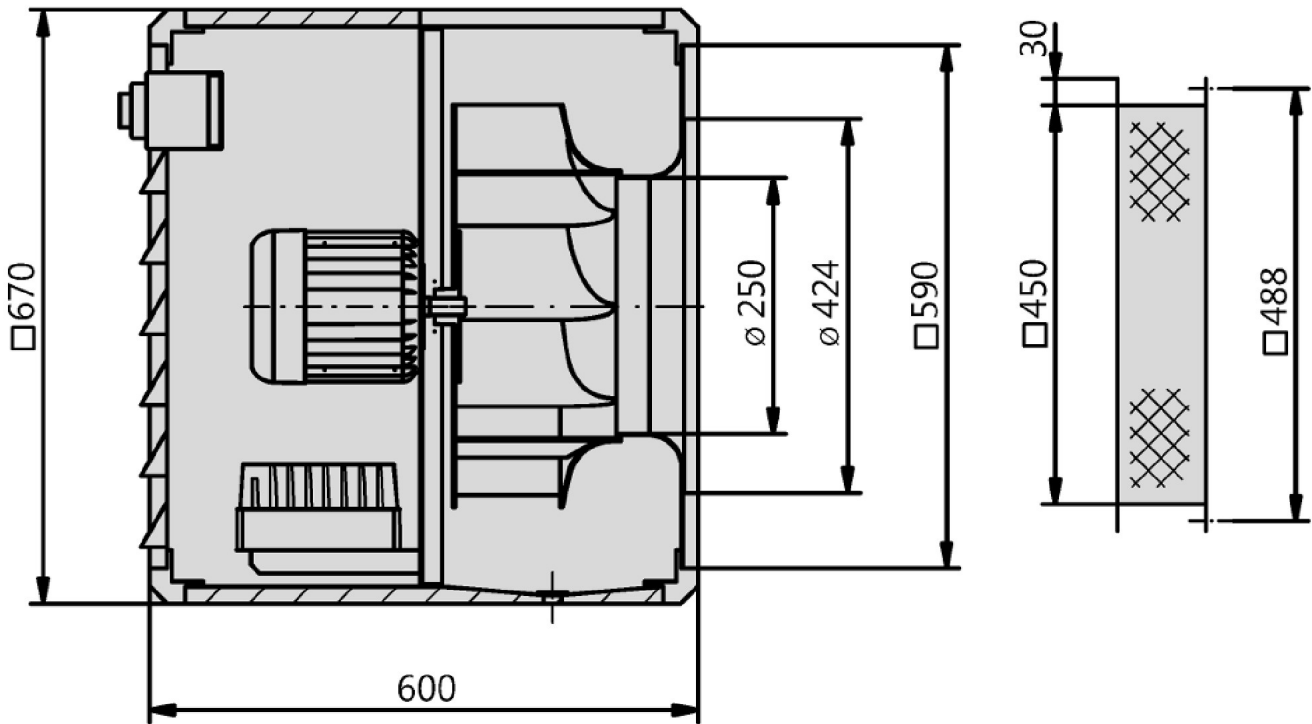
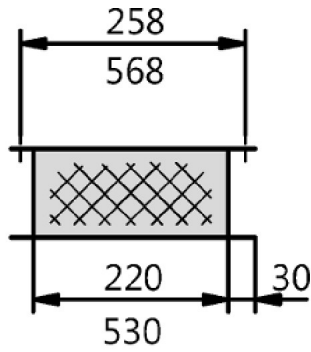


Max. ambient temperature 50°C



Type: **UNO-ME 67-400-G.5FF**

Art.-No.: F18-40031





Type: **UNO-ME 67-400-G.5FF**

Art.-No.: F18-40031

