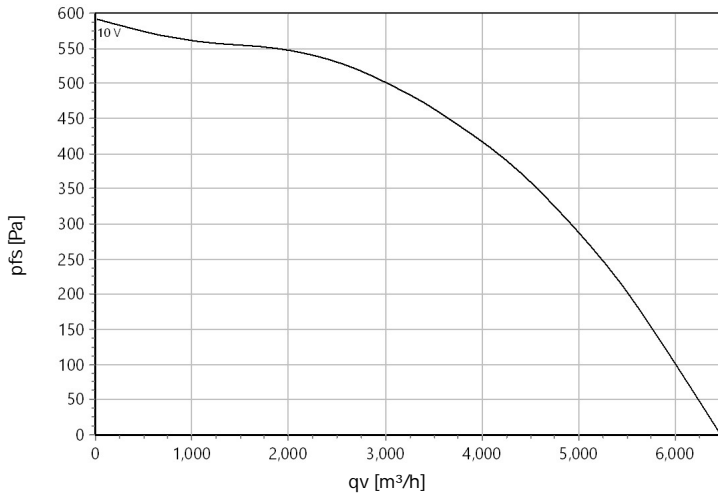




Type: **UNO-ME 67-450-G.6EF**  
Art.-No.: **F18-45032**



**Curve:**



: 1.15 kg/m³; Data @ 400 V

**ErP-Data:**

(EU) Nr. 1253/2014		(Lot6)
q <sub>v</sub>	3816	m <sup>3</sup> /h
p <sub>fs</sub>	450	Pa
η <sub>ed,fs</sub>	54	%
P <sub>ed</sub>	0.88	kW
n	1400	r/min
N	55	
v	8.22	m/s
η <sub>ed,fs</sub> Lot11	59	%

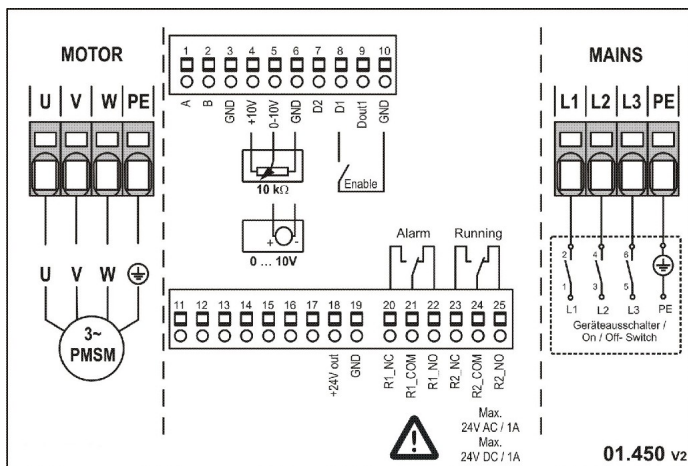
**Nominal Data:**

U [V]	f [Hz]	Data @ [V]	P <sub>ed</sub> [kW]	I <sub>N</sub> [A]	n <sub>N</sub> [r/min]	t <sub>R</sub> [°C]	k <sub>10</sub> [m <sup>2</sup> /s/h]	Eff.-Rating	IP	m [kg]
3~380-480	50/60	400	0.95	1.7	1400	120	-	IE4	IP 54	66

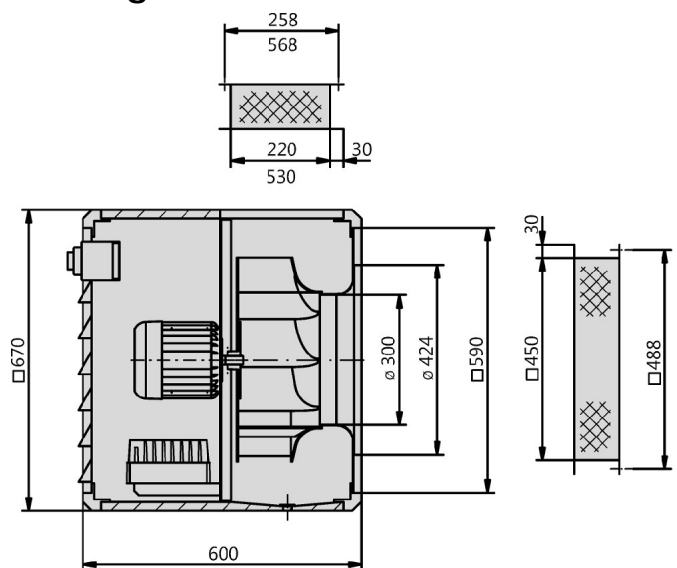
**Sound Data:**

Frequency		125Hz	250Hz	500Hz	1kHz	2kHz	4kHz	8kHz	Distances	1 m	4 m
LwA(A,in) [dB(A)]	-3	-19	-12	-11	-10	-7	-14	-22	LpA(A,in) [dB(A)]	-10	-20
LwA(A,out) [dB(A)]		-17	-10	-8	-4	-6	-12	-21	LpA(A,out) [dB(A)]	-7	-17
LwA(D,cas) [dB(A)]	-15	-23	-20	-24	-23	-23	-27	-31	LpA(D,cas) [dB(A)]	-22	-32

**Wiring Diagram:**



**Drawing:**

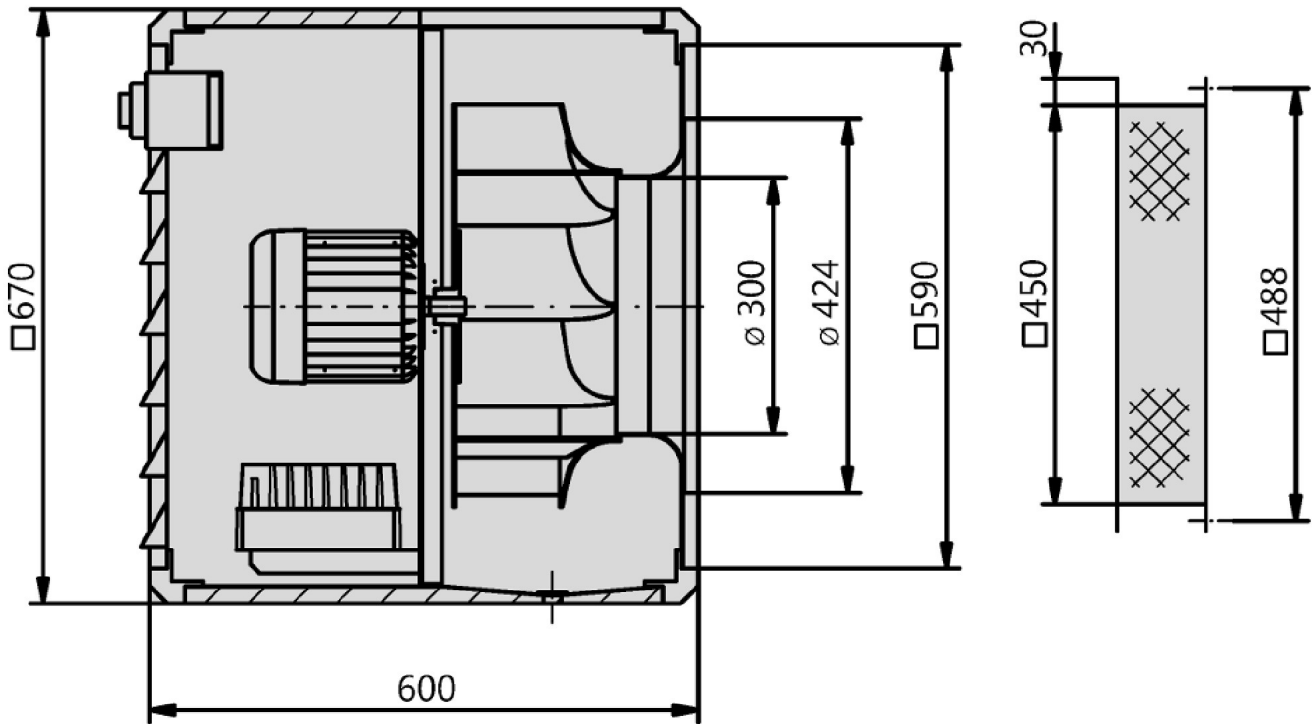
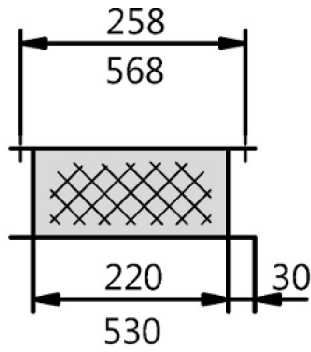


Max. ambient temperature 50°C



Type: **UNO-ME 67-450-G.6EF**

Art.-No.: F18-45032





Type: **UNO-ME 67-450-G.6EF**

Art.-No.: F18-45032

