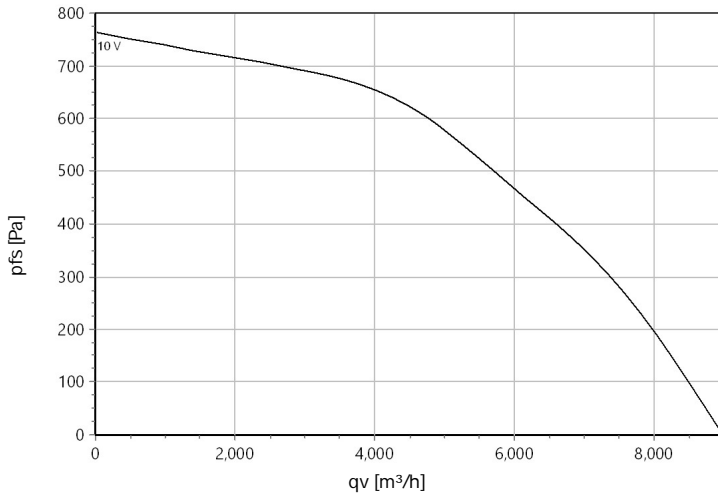




Type: **UNO-ME 80-500-G.6HA**
Art.-No.: **F18-50032**



Curve:



: 1.15 kg/m³; Data @ 400 V

ErP-Data:

(EU) Nr. 1253/2014	(Lot6)	
q _v	5024	m³/h
p _{fs}	605	Pa
η _{ed,fs}	59.5	%
P _{ed}	1.42	kW
n	1400	r/min
N	57	
v	6.40	m/s
η _{ed,fs} Lot11	64.1	%

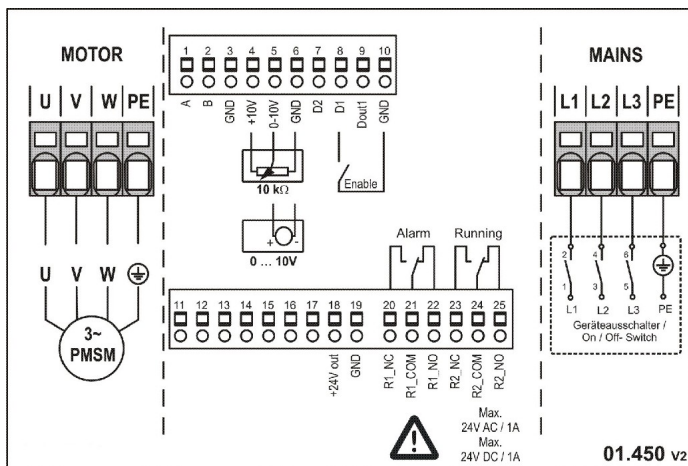
Nominal Data:

U [V]	f [Hz]	Data @ [V]	P _{ed} [kW]	I _N [A]	n _N [r/min]	t _R [°C]	k ₁₀ [m²/s/h]	Eff.-Rating	IP	m [kg]
3~ 380-480	50/60	400	1.45	2.4	1400	120	-	IE4	IP 54	96

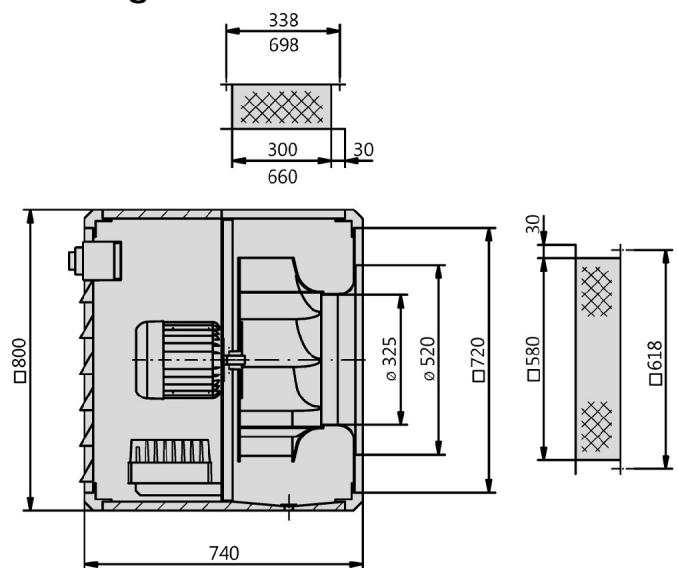
Sound Data:

Frequency		125Hz	250Hz	500Hz	1kHz	2kHz	4kHz	8kHz	Distances	1 m	4 m
L _{wA} (A,in) [dB(A)]	-3	-22	-13	-10	-9	-8	-13	-22	L _{pA} (A,in) [dB(A)]	-10	-20
L _{wA} (A,out) [dB(A)]		-16	-8	-6	-5	-7	-13	-22	L _{pA} (A,out) [dB(A)]	-7	-17
L _{wA} (D,cas) [dB(A)]	-15	-26	-19	-22	-23	-24	-30	-38	L _{pA} (D,cas) [dB(A)]	-22	-32

Wiring Diagram:



Drawing:

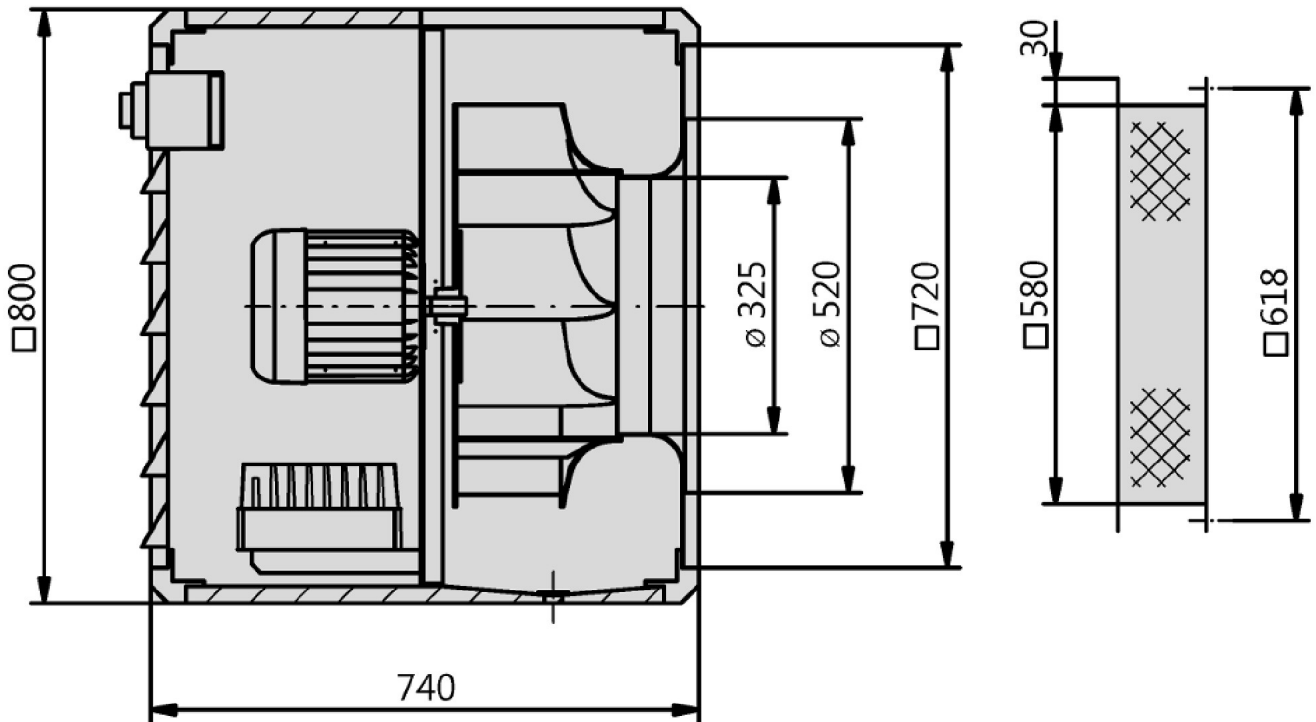
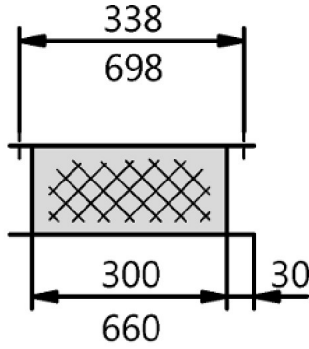


Max. ambient temperature 50°C



Type: **UNO-ME 80-500-G.6HA**

Art.-No.: F18-50032





Type: **UNO-ME 80-500-G.6HA**

Art.-No.: F18-50032

