

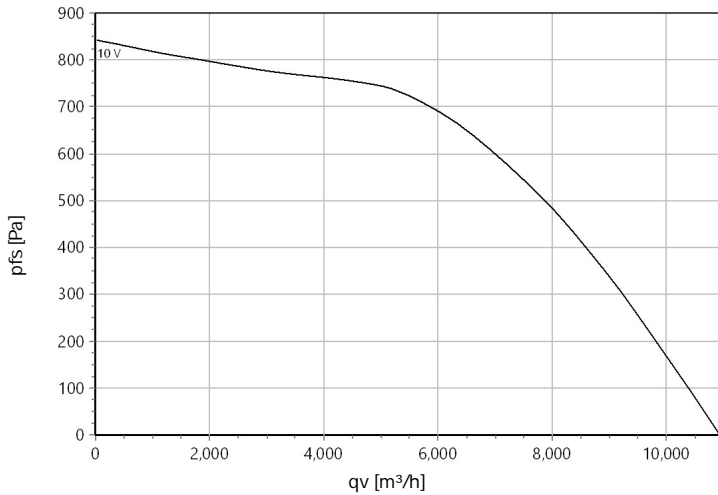


Type: **UNO-ME 80-560-G.6LA**

Art.-No.: **F18-56032**



Curve:



: 1.15 kg/m³; Data @ 400 V

ErP-Data:

(EU) Nr. 1253/2014		(Lot6)
q _v	5925	m ³ /h
p _{fs}	724	Pa
η _{ed,fs}	56	%
P _{ed}	2.13	kW
n	1400	r/min
N	51	
v	7.62	m/s
η _{ed,fs} Lot11	59.7	%

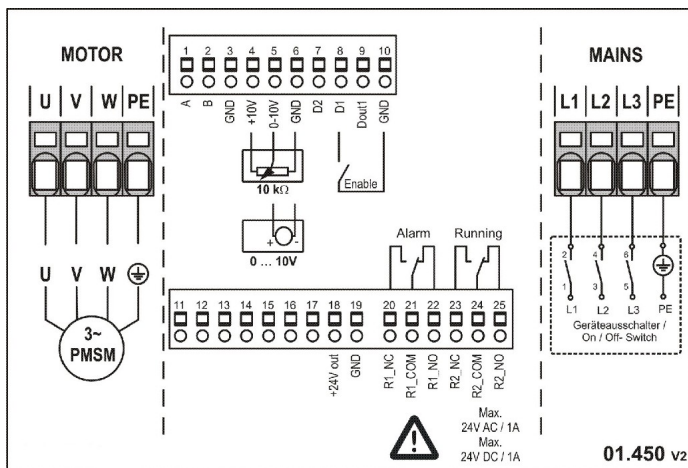
Nominal Data:

U [V]	f [Hz]	Data @ [V]	P _{ed} [kW]	I _N [A]	n _N [r/min]	t _R [°C]	k ₁₀ [m ² s/h]	Eff.-Rating	IP	m [kg]
3~380-480	50/60	400	2.3	3.6	1400	120	-	IE4	IP 54	102

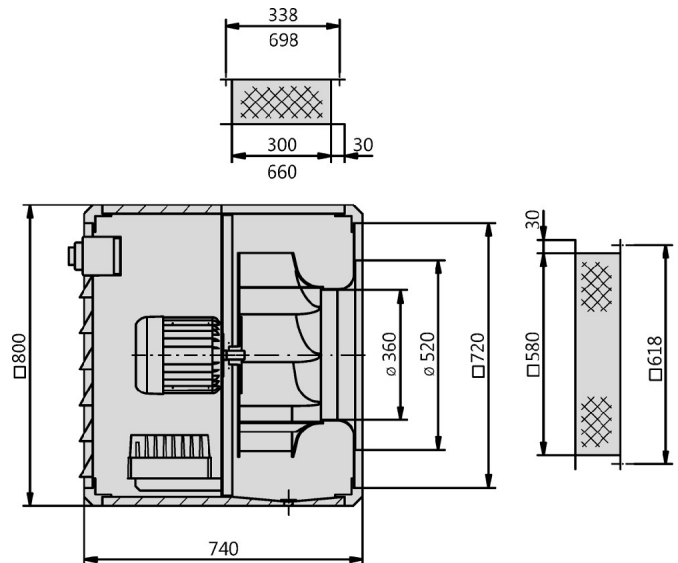
Sound Data:

Frequency		125Hz	250Hz	500Hz	1kHz	2kHz	4kHz	8kHz	Distances	1 m	4 m
L _w (A,in) [dB(A)]	-3	-16	-7	-10	-11	-12	-15	-23	L _p A(A,in) [dB(A)]	-10	-20
L _w (A,out) [dB(A)]		-9	-8	-6	-6	-8	-13	-21	L _p A(A,out) [dB(A)]	-7	-17
L _w (D,cas) [dB(A)]	-15	-22	-21	-23	-23	-23	-27	-33	L _p A(D,cas) [dB(A)]	-22	-32

Wiring Diagram:



Drawing:

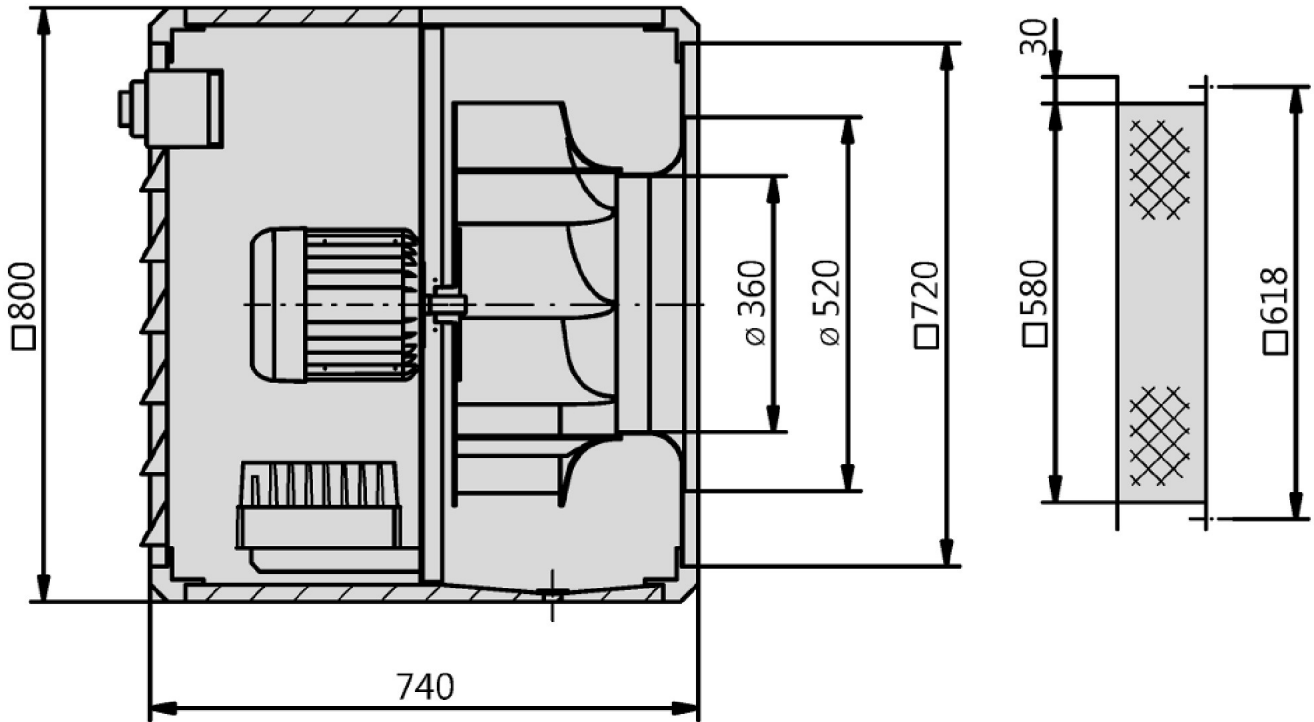
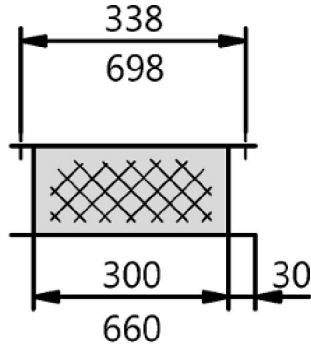


Max. ambient temperature 50°C



Type: **UNO-ME 80-560-G.6LA**

Art.-No.: F18-56032





Type: **UNO-ME 80-560-G.6LA**

Art.-No.: F18-56032

