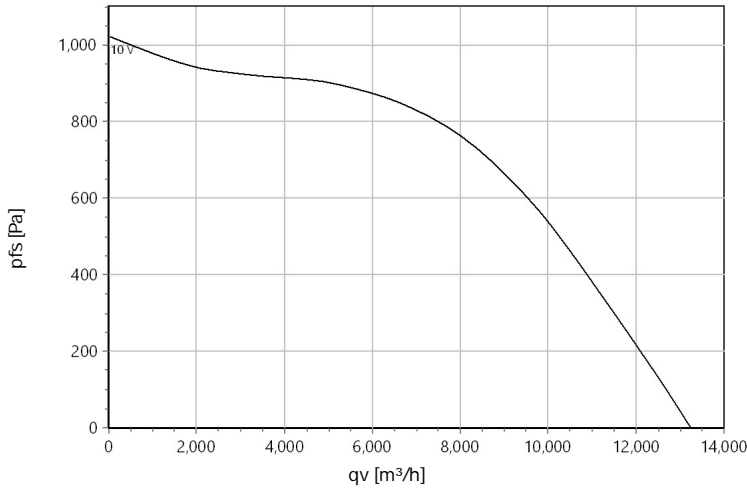




Type: **UNO-ME 80-630-G.8FF**  
Art.-No.: **F18-63032**



**Curve:**



: 1.15 kg/m³; Data @ 400 V

**ErP-Data:**

(EU) Nr. 1253/2014	(Lot6)	
q <sub>v</sub>	7723	m³/h
p <sub>fs</sub>	817	Pa
η <sub>ed,fs</sub>	51.4	%
P <sub>ed</sub>	3.41	kW
n	1350	r/min
N	43	
v	9.93	m/s
η <sub>ed,fs</sub> Lot11	55	%

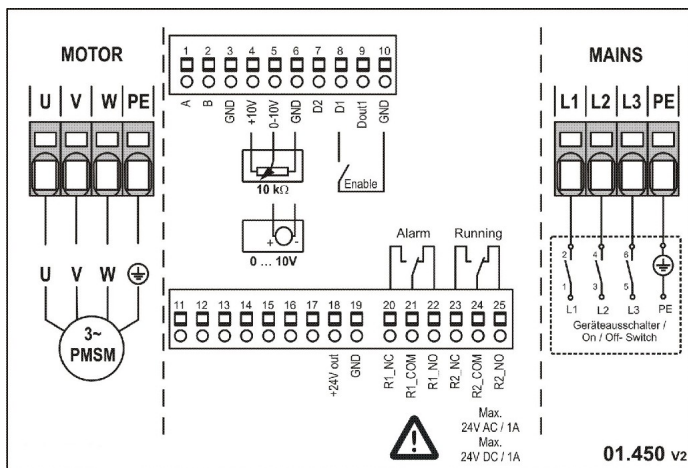
**Nominal Data:**

U [V]	f [Hz]	Data @ [V]	P <sub>ed</sub> [kW]	I <sub>N</sub> [A]	n <sub>N</sub> [r/min]	t <sub>R</sub> [°C]	k <sub>10</sub> [m²/s/h]	Eff.-Rating	IP	m [kg]
3~ 380-480	50/60	400	3.6	5.5	1350	120	-	IE4	IP 54	112

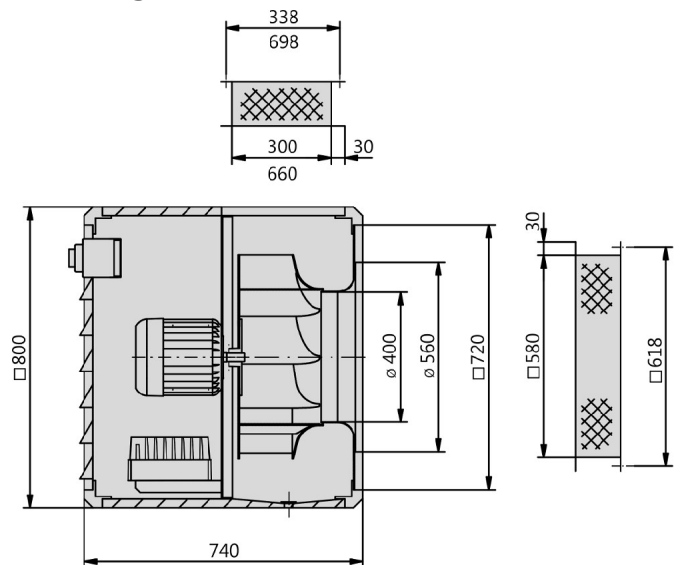
**Sound Data:**

Frequency		125Hz	250Hz	500Hz	1kHz	2kHz	4kHz	8kHz	Distances	1 m	4 m
L <sub>w</sub> A(A,in) [dB(A)]	-3	-26	-15	-14	-9	-6	-11	-21	L <sub>p</sub> A(A,in) [dB(A)]	-10	-20
L <sub>w</sub> A(A,out) [dB(A)]		-18	-18	-8	-5	-5	-9	-21	L <sub>p</sub> A(A,out) [dB(A)]	-7	-17
L <sub>w</sub> A(D,cas) [dB(A)]	-17	-26	-22	-26	-22	-27	-34	-43	L <sub>p</sub> A(D,cas) [dB(A)]	-24	-34

**Wiring Diagram:**



**Drawing:**

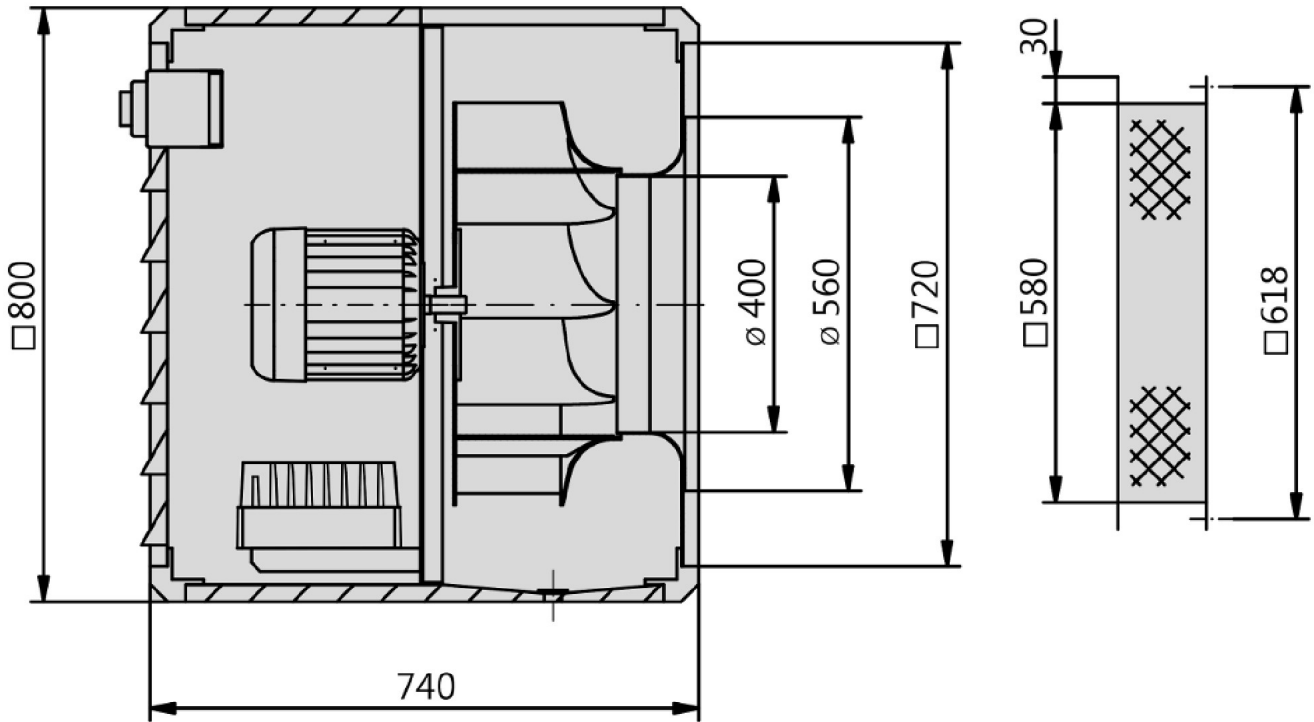
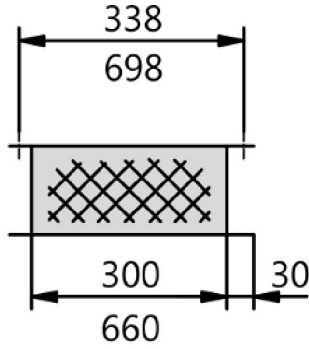


Max. ambient temperature 40°C



Type: **UNO-ME 80-630-G.8FF**

Art.-No.: F18-63032





Type: **UNO-ME 80-630-G.8FF**

Art.-No.: F18-63032

