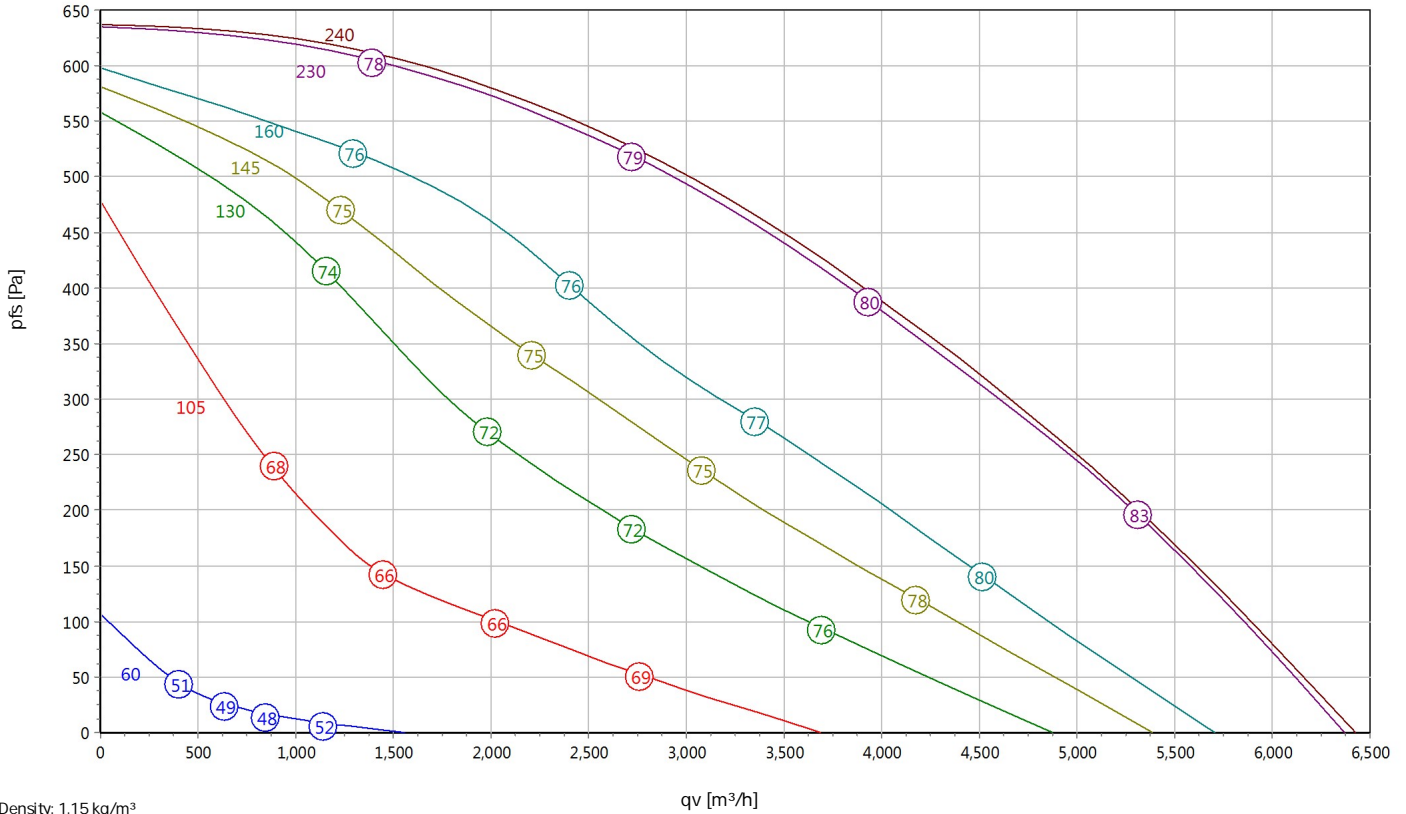




Box Fan
Type: **UNO-ME 67-450-4 E**
Art.-No.: F09-45023



Curve:



Nominal Data:

U [V]	f [Hz]	P _e [kW]	I _N [A]	n _N [r/min]	C [μF]	t _R [°C]	k ₁₀ [m ² /h]	I _A / I _N	IP	I	m [kg]
230	50	1	4.6	1380	25	80	-	2.6	IP 54	19%	-

Sound Data:

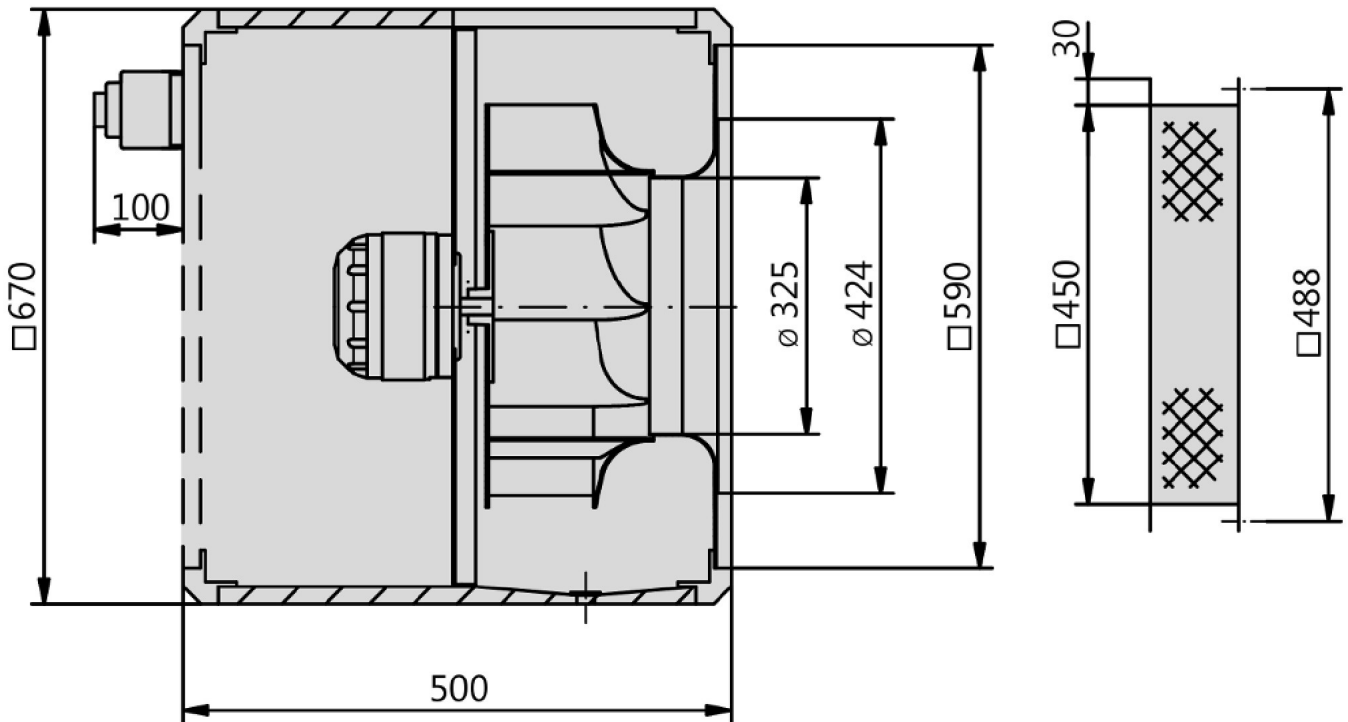
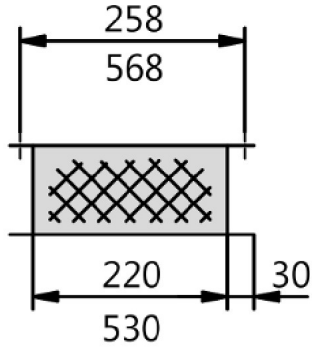
Frequency		125Hz	250Hz	500Hz	1KHz	2KHz	4KHz	8KHz	Distances	1 m	4 m
LwA(A,in) [dB(A)]	-3	-18	-16	-13	-8	-7	-13	-24	LpA(A,in) [dB(A)]	-10	-20
LwA(A,out) [dB(A)]		-13	-12	-10	-4	-5	-8	-21	LpA(A,out) [dB(A)]	-7	-17
LwA(D,cas) [dB(A)]	-15	-19	-22	-24	-23	-25	-28	-36	LpA(D,cas) [dB(A)]	-22	-32



Box Fan

Type: **UNO-ME 67-450-4 E**

Art.-No.: F09-45023



Unobox-ME

Box fans for higher operating temperatures

The housing supporting frames are double chamber aluminum profiles with corners made of plastic and double skinned galvanized sheet steel panels insulated with non-inflammable, noise and temperature insulating fibreglass mats. Removable service door. Outlet at the top. A changing of the air outlet and side panel at the installation site is possible at any time by setting of the flexible panels. This flexibility ensures the highest adjustment possibilities to the structural conditions. All plastic components and cables are UV-resistant. Wall thickness 20mm, $K=1,25 \text{ W/m}^2\text{K}$. By default, a drip pan is integrated in the unit bottom. In so doing, the connection openings are equipped with blind plug. The condensation drain nozzle (3/4") is loose. The casing consists of 2 adjacent chambers, one for the motor and one for the impeller. The motor chamber is closed, but receives an optimum cooling through the ventilation slots in the back panel. Thus, temperatures up to max. 120°C and/or greasy air is possible. Impeller made of aluminum (AlMg3) with 8 backward curved blades. Compact and flexible design. Voltage controllable AC external rotor motor. Maintenance free ball bearings, closed on both sides with long-term lubrication. Motor coated black and/or die casted aluminum. Standard configuration with cable. Motor protection is guaranteed by thermal contacts, which are inlaid into the motor windings. These contacts protect the motor from being overloaded through phase failure, too high medium temperature or locked rotor. Isolation Class F. Motorized Impeller statically and dynamically balanced according to DIN ISO 21940-11 at least with quality level G6.3. The electrical connection is possible over the mounted ON/OFF-switch. Air volume control is possible by the use of a step transformer (accessory).

Fan complies with the guidelines required (Machinery-, EMC- and Low Voltage Directive) to comply with installation and conformity declaration as well as CE marking.

Nominal Data:

Voltage [U]

230 V

Frequency [f]

50 Hz

Input power [P]

1 kW

Current [I]

4.6 A

Speed [n]

1380 r/min

Medium temperature [tR]

80 °C

Protection Mode

IP 54

Dimensions [L / W / H]

500 mm / 670 mm / 670 mm

Contact:

Irish Ventilation & Filtration Ltd

Unit C, 390 Clonard Rd, Crumlin

- Dublin 12 Ireland

www.irishvent.ie

Type:

UNO-ME 67-450-4 E

Article-No.:

F09-45023



Box Fan
 Type: **UNO-ME 67-450-4 E**
 Art.-No.: F09-45023

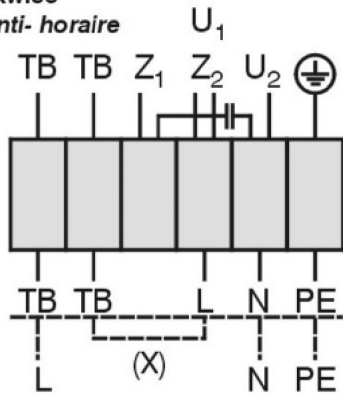


Einphasenwechselstrommotor mit Betriebskondensator und Thermostatschalter (TB). Bei Verwendung von RE Steuergeräten TB mit der Wicklung in Reihe schalten. Hierfür Brücke (x) einlegen und gestrichelt gezeichnete Anschlüsse belegen.

Single phase A.C. motor with operating capacitor and therostatic switch (TB). TB wired in series with windings if RE controllers are used. Insert bridge (x) and wire connections shon as dash-line on the drawing.

Moteur monophasé avec condensateur permanent et interrupteur thermostatique (TB) branché en série avec le bobinage en cas de branchement avec des régulateurs RE. Mettre un pont (x) et brancher toutes les connexions dessinées en hachuré.

Linkslauf
 anti- clockwise
 rotation anti- horaire



U₁ braun / brown / brun
 U₂ blau / blue / bleu
 Z₁ schwarz / black / noir
 Z₂ orange / orange / orange
 TB weiß / white / blanc
 PE gelb-grün / yellow-green / jaune-vert

01.025

TK3-20003