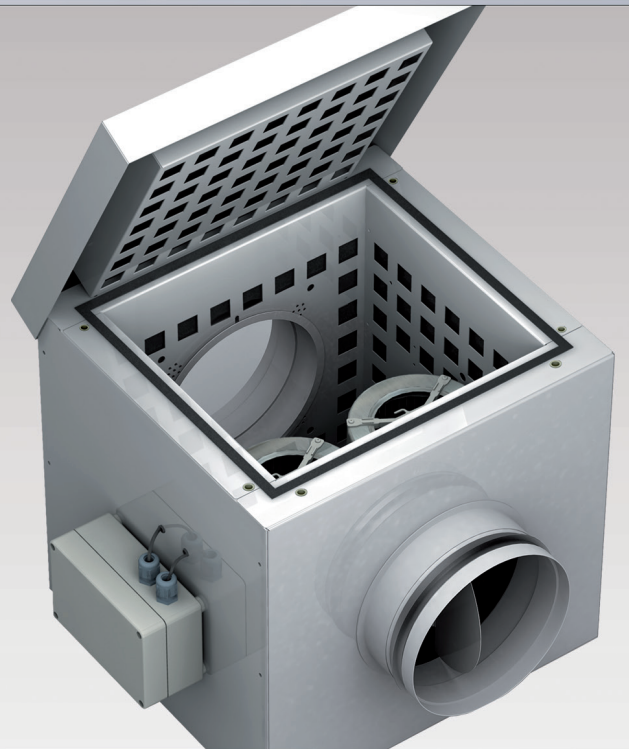


airtècnics

TWINBOX®

*Soundproof ventilation
units with double fan*



ENERGY SAVING
TECHNOLOGIES



airtèc

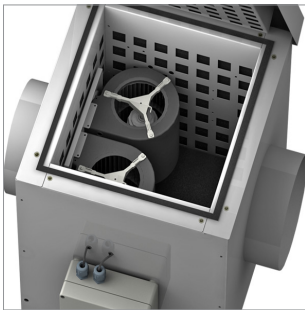
TwinBox®

General Description

A complete range of centrifugal ventilation units of very low noise level, solid, versatile and easy to mount. Designed to satisfy the most demanding up-to date installations. To make the installation easier there are available a wide range of accessories: flexible gaskets, shutters, grills, circular and rectangular hoppers, dampers, duct silencers, electrical heating, filtering modules and special accessories on request.

Casing made of galvanised sheet steel with a 50 mm layer of mineral wool, that insulates from noise and external temperature.

using mounting clamps. Integrated thermal-contacts that protect the motors from overheating with lead for connection to a motor protection device.



Internally coated with perforated galvanized sheet steel. Double inlet centrifugal fans with forward-curved impellers, easy to connect to spiral ducts



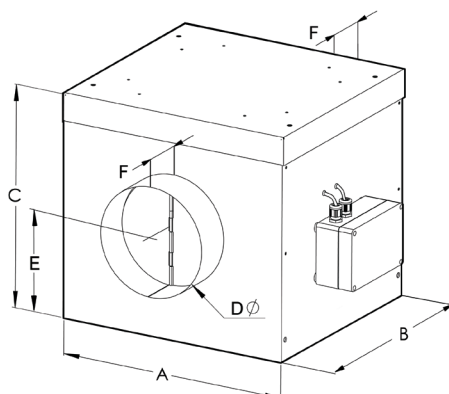
Maintenance-free external rotor motors. External terminal box.

Characteristics

Model	Voltage V (50 Hz)	Intensity A	Power W	Speed rpm	Airflow m ³ /h	Max. Pressure ΔPa
TWINBOX 150	1x230V	0,47	100	1640	375	310
TWINBOX 200	1x230V	0,47	100	1640	375	310
TWINBOX 200 L	1x230V	1,10	207	1365	675	390
TWINBOX 250	1x230V	1,10	207	1365	675	260
TWINBOX 250 L	1x230V	1,20	268	1865	925	540
TWINBOX 315 L	1x230V	1,20	268	1865	925	540

TWINBOX | SOUNDPROOF VENTILATION UNITS WITH DOUBLE FAN

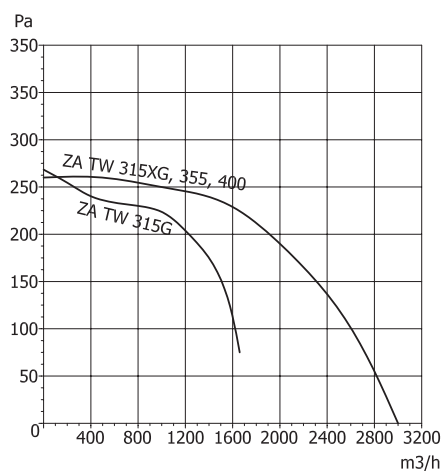
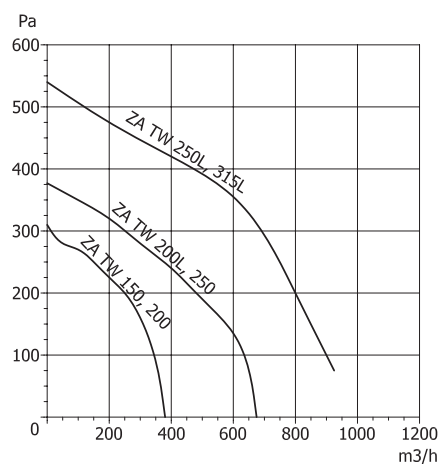
Dimensions



	150	200	200L	250	250L	315L	315G	315XG	355	400
A	430	430	470	470	550	550	800	800	800	800
B	400	400	440	440	550	550	550	550	550	550
C	408	408	448	448	558	558	558	558	558	558
D	200	200	200	250	250	315	315	315	355	400
E	200	200	250	250	250	280	280	280	280	280
F	50	50	50	50	50	50	50	50	50	50

(Measures in mm)

Performance Curves



one fan performance

Accessories and Regulation





Conca de Barberà, 6 - Pol. Ind. Pla de la Bruguera
E-08211 CASTELLAR DEL VALLÈS (Barcelona) Spain
Tel. + 34 93 715 99 88 - Fax. + 34 93 715 99 89
airtecnics@airtecnics.com www.airtecnics.com

