

Axial Fans

EQ... DQ... / ER... DR...



Contents

3	Description - EQ/DQ...
3	Application areas
3	Casing
4	Impellers
4	Motor and motor protection
4	Electrical connection
4	Installation
5	Air volume control
5	Protection guard
5	Scope of delivery
5	Installation example
6	Description - ER/DR...
6	Application areas
6	Casing
7	Impellers
7	Motor and motor protection
7	Electrical connection
7	Installation
8	Air volume control
8	Scope of delivery
8	Installation example
9	Vendor information

EQ / DQ – Axial fans

with square wall plate

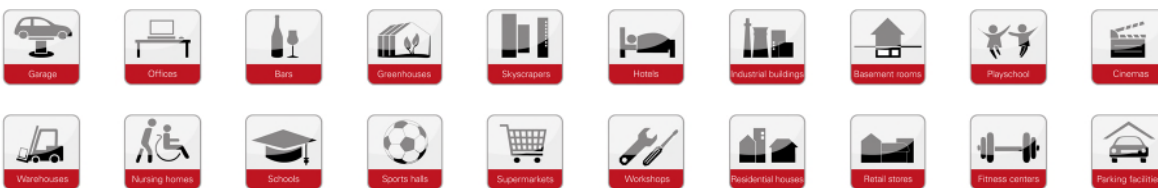
- low installation depth
- can be installed in any position
- delivered with a mounted protection guard (except size 1000)
- motor protection by thermal contacts
- speed is variable using auto transformers



Description:

High efficiency axial fans are used large for air volumes pressure. The fans with square inlet cone are used for ventilating restaurants, gymnasiums, conference rooms, workshops, ware-houses, swimming pools and greenhouses.

Application areas:



Casing:



Casing

The casings of high efficiency axial fans are made of galvanized sheet steel and are plastic coated.

Impellers:

The high efficiency axial fans have aerodynamically profiled blades. The blades are made of galvanized sheet metal, and are mounted directly to the rotor of the external rotor motor and are balanced dynamically together with the rotor according to quality level G2.5/G6.3 DIN ISO 21940-11.



- Sizes 200 to 300** = made of plastic
- Size 315-4.4EC** = made of coated steel
- Sizes 315 to 630-6** = made of plastic
- Sizes 630-4 to 1000** = made of aluminium

Motor and motor protection:

All Rosenberg fans are equipped with direct driven external rotor motors. All our fans have motor protection through thermal contacts in the motor windings as standard.

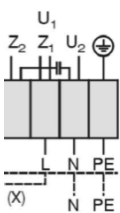


- Sizes 200 to 300** = motor protection class IP44
- All other sizes** = motor protection class IP54

The drive has due to an external rotor motor a space saving, compact and attractive design. The motor is fitted within the impeller, which enables the best possible cooling. For this reason a 100% variable speed control can be guaranteed. V-belts, additional tension bars and motor mounting devices are not necessary. Only well-dimensions ball-bearings, fitted on both sides and life time greased are used. Both ball-bearing seats are ground to high precision in one work process to eliminate any vibrations.

External rotor motors have extremely low starting current. The windings comply to isolation class F. In addition the windings have a standard moisture impregnation.

Electrical connection:



The motors are fitted with an outgoing cable. The electrical connection can be made via an IP44 terminal box, which is supplied loose.

Installation:



Axial fans with square wall plate can be attached to the holes provided in the wall.
WARNING: Size 1000 without protection guard!!!

Air volume control:

For more information see accessories!



5-speed control unit:

EQ: 230V → RE / RTE ...

DQ: 400V → RTD ...

Infinitely variable control unit:

EQ: 230V → ED / REE ...

DQ: 400V → RED ...

Protection guard:



Default included protection guard

The fans are equipped with a protection guard as an engine supporting grid.

Exception:

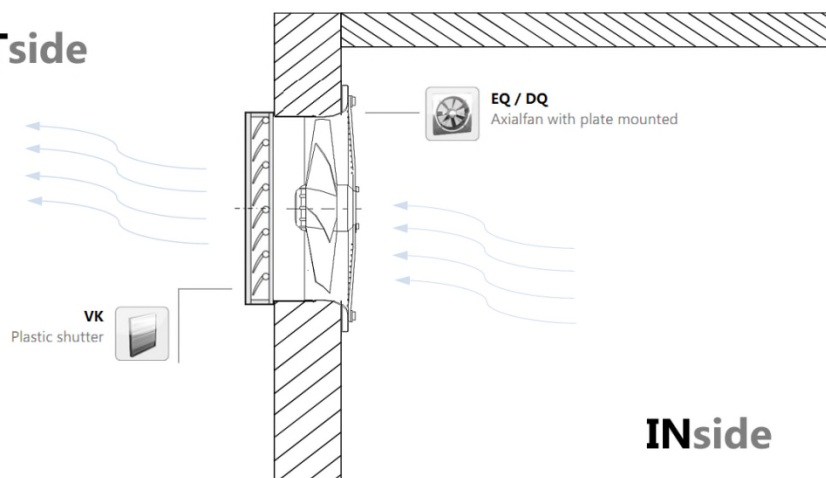
Size 1000 is delivered without protection guard.

Scope of delivery:

- Axial fan (EQ/DQ)
- Documentation

Installation Example:

OUTside



ER / DR – Axial Fans

with double flange casing

- low installation depth
- usable for many applications
- can be installed in any position
- motor protection by thermal contacts
- speed is variable using auto transformers



Description:

High efficiency axial fans are used wherever large air volumes must be conveyed against low up to medium pressure. The axial fans with double flange ring are used in duct systems for air conditioning, cooling and drying applications.

Application areas:



Casing:



Casing with double flange ring for duct installation

The casings of high efficiency axial fans are made of galvanized sheet steel and are plastic coated.

Impellers:

The high efficiency axial fans have aerodynamically profiled blades. The blades are made of galvanized sheet metal, and are mounted directly to the rotor of the external rotor motor and are balanced dynamically together with the rotor according to quality level G2.5/G6.3 DIN ISO 21940-11.



Sizes 200 to 300

= made of plastic

Size 315-4.4EC

= made of coated steel

Sizes 315 to 630-6

= made of plastic

Sizes 630-4 to 1000

= made of aluminium

Motor and motor protection:

All Rosenberg fans are equipped with direct driven external rotor motors. All our fans have motor protection through thermal contacts in the motor windings as standard.



Sizes 200 to 300

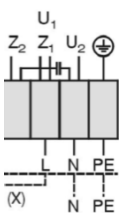
= motor protection class IP44

All other sizes

= motor protection class IP54

The drive has due to an external rotor motor a space saving, compact and attractive design. The motor is fitted within the impeller, which enables the best possible cooling. For this reason a 100% variable speed control can be guaranteed. V-belts, additional tension bars and motor mounting devices are not necessary. Only well-dimensions ball-bearings fitted on both sides and life time greased are used. Both ball-bearing seats are ground to high precision in one work process to eliminate any vibrations. External rotor motors have extremely low starting current. The windings comply to isolation class F. In addition the windings have a standard moisture impregnation.

Electrical connection:



The motors are fitted with an outgoing cable. The electrical connection can be made via an IP44 terminal box, which is supplied loose.

Installation:



Axial fans with double flanges can be easily integrated into a pipe system. Accessories like flanges or flexible duct connectors are optional.

Air volume control:

For more information see accessories!



5-speed control unit:

ER: 230V → RE / RTE ...

DR: 400V → RTD ...

Infinitely variable control unit:

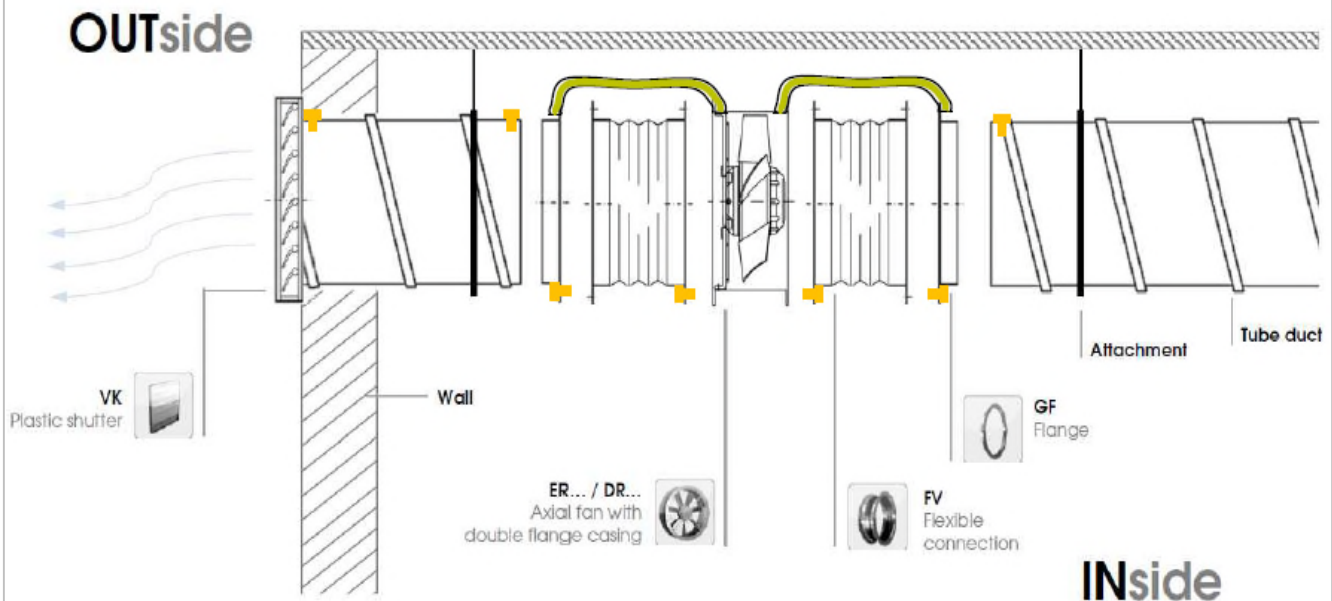
ER: 230V → ED / REE ...

DR: 400V → RED ...

Scope of delivery:

- Axial fan (ER/DR)
- Terminal box (loose)
- Documentation

Installation Example:



When mounting approved mechanical accessories on EX fans, please note that the continuous conductive connection to the fan, if necessary the accessories are to be connected to the fan by means of rivets or (sheet metal) screws and serrated lock washers.



Insulating parts (e.g. rubber buffers, elastic connections) must be bridged by means of potential equalization.

Vendor information:

Warranty Guidelines:

The customer is responsible for the project design, selection and operation of the fans. The supplier gives warranty for faulty products, excluding further claims, in accordance with paragraph VII of the valid terms and conditions of business.

Warranty will not be given in the following instances:

Unfitted or inappropriate usage, incorrect mounting or faulty installation by the purchaser or a third party, normal wear and tear, incorrect or negligent handling, improper maintenance, unsuitable operating material, faulty installation, unsuitable ground and chemical, electrochemical or electrical influence - as long as they are not the responsibility of the supplier.

If the goods delivered of the manufacturer are faulty, the customer has the right to receive a replacement or replacement of the faulty parts up to the maximum value of the purchase price. The manufacturer also has the right to get the product repaired within a reasonable time period. The manufacturer must be informed immediately in the case of damage.

Noise level specifications of fans are simply valid in combination with Rosenberg controllers! The usage of third-party products will cause the Rosenberg guarantee claim.

The obligation to replace additional faults is herewith excluded. Our general terms of business are the basis for all further agreements for example: time periods to repair or replace. The general terms of business are available on our website www.rosenberg.eu or directly from one of our sales representatives.

Terms & Conditions of sale and delivery

We sell based on our Terms & Conditions of sale and delivery, supplemented by the "German conditions of delivery for products of the electrical industry". Prices are applicable ex works, excluding packaging. We reserve the right to change construction, design, technical data and prices without prior notification. Place of performance and court of jurisdiction is D-74653 Künzelsau.

Minimum order value: 150 Euro.

For orders under 150 Euro there will be a surcharge of 20 Euro.