

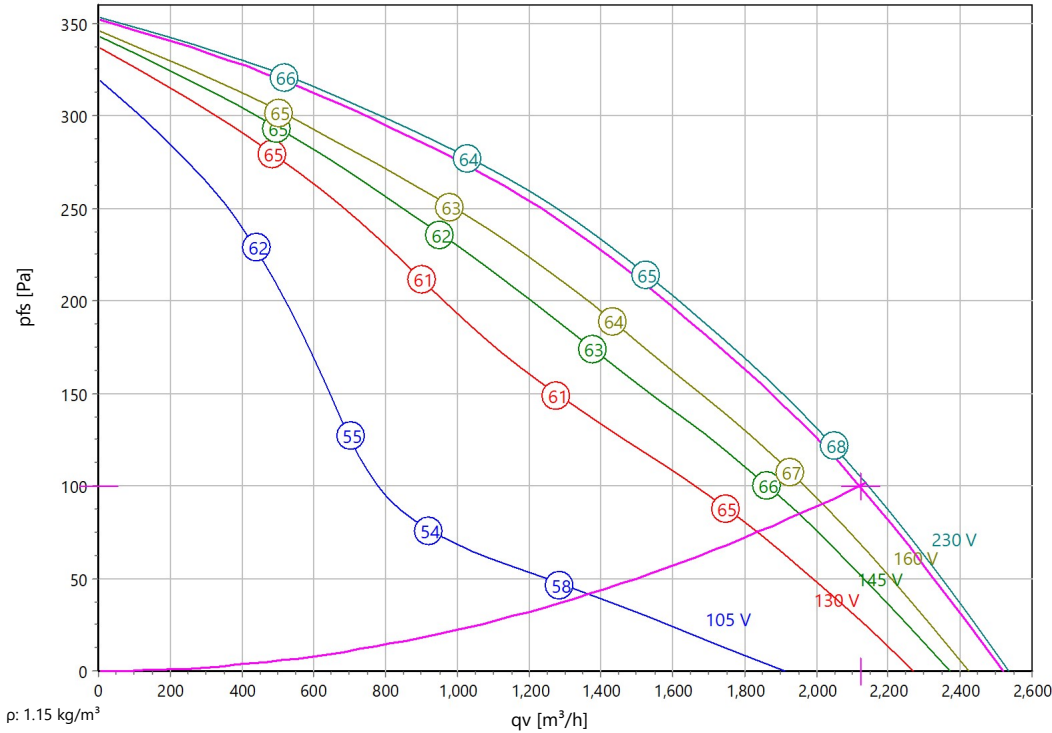


Type: **R 355 M.5FA**

Art.-No.: F00-35521



Curve:



ErP-Data:

(EU) Nr. 1253/2014	(Lot6)
qv	1325 m³/h
p _{fs}	256 Pa
η _{fs}	36.8 %
P _e	0.26 kW
n	1426 r/min
N	45
v	3.72 m/s
η _{fs} Lot11	46.4 %

Operating Point:

qv	2120 m³/h
p _{fs}	100 Pa
p _{fd}	21 Pa
η _{e,fs}	26 %
η _{e,tot}	31 %
P _e	0.233 kW
I	1.2 A
n	1417 r/min
L _{WA D,out}	68 dB(A)
U	220 V
v	5.95 m/s
SFP	397 Ws/m³
FEI	1.5

Intersections:

Curve	qv [m³/h]	p _{fs} [Pa]	P _e [kW]	I [A]	n _N [r/min]	L _{WA D,out} [dB(A)]
230 V	2138	102	0.24	1.22	1429	68
160 V	2016	91	0.195	1.34	1350	67
145 V	1951	85	0.189	1.44	1306	66
130 V	1836	76	0.183	1.58	1228	65
105 V	1366	42	0.161	1.81	919	58

Nominal Data:

U [V]	f [Hz]	C [μF]	P _e [kW]	I _N [A]	n _N [r/min]	t _R [°C]	k ₁₀ [m²s/h]	I _A / I _N	IP	ΔI	m [kg]
1~230	50	6	0.27	1.28	1422	-25 .. +60	-	4.4	IP 54	45 %	15.6

Sound Data:

Frequency	Σ	63Hz	125Hz	250Hz	500Hz	1kHz	2kHz	4kHz	8kHz	Distances	1 m	4 m
L _{WA(D,in)} [dB(A)]	66	44	53	60	61	59	57	53	43	L _{pA(D,in)} [dB(A)]	59	48
L _{WA(D,out)} [dB(A)]	68	42	54	59	61	63	62	56	46	L _{pA(D,out)} [dB(A)]	61	50
L _{WA(D,cas)} [dB(A)]	55	34	44	45	48	52	44	40	25	L _{pA(D,cas)} [dB(A)]	48	37

ErP-Data @ 50Hz-Type: R 355 M.5FA



Type: **R 355 M.5FA**
 Art.-No.: F00-35521

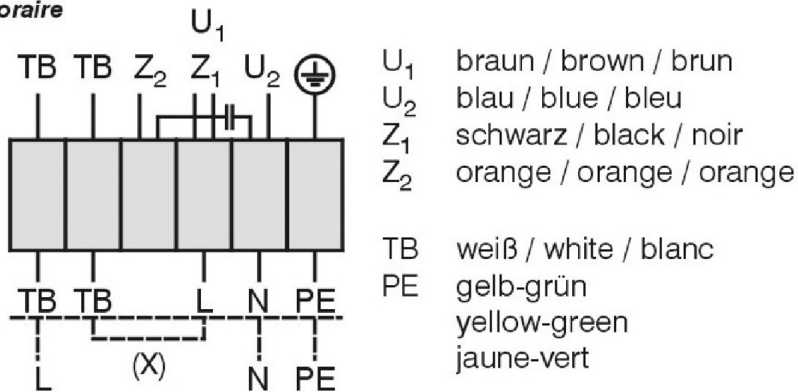


Einphasenwechselstrommotor mit Betriebskondensator und Thermostatschalter.
 Bei Verwendung von RE Steuergeräten TB mit der Wicklung in Reihe schalten.
 Hierfür Brücke (x) einlegen und gestrichelt gezeichnete Anschlüsse belegen.

Single phase A.C. motor with operating capacitor and thermostatic switch.
Thermostatic switch wired in series with windings if RE controllers are used.
Insert bridge (x) and wire connections shown as dash-line on the drawing.

Moteur monophasé avec condensateur permanent et interrupteur thermo-
statique branché en série avec le bobinage en cas de branchement avec des
régulateurs RE. Mettre un pont (x) et brancher toutes les connexions
dessinées en hachuré.

Rechtslauf
clockwise
rotation horaire



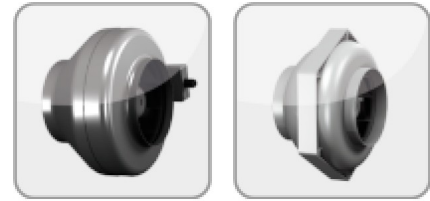
01.024

TK3-20010

R... / RS... - Tube Fans

Construction of steel and plastic

- easy installation in any position
- easy electrical connection via terminal box
- motor protection by thermal contacts



Description:

Tube fans represent a technically perfect solution, uniting the advantages of axial fans, straight airflow and easy installation, with high pressure stability, low noise level and high efficiency of the radial fans.

Application areas:

Garage / Offices / Bars / Greenhouses / Skyscrapers / Hotels / Industrial buildings / Basement rooms / Playschool / Cinemas / Parking facilities / Warehouses / Nursing homes / Schools / Sports halls / Supermarkets / Workshops / Residential houses / Fitness centers / Inflatables

The R... / RS... series is characterized by high airflows at medium pressures. An extensive accessory program for tube mounting completes the product portfolio ideally.

Classification of the fan series:

NRVU = **N**on **R**esidential **V**entilation **U**nits

UVU = **U**nidirectional **V**entilation **U**nits

Casing:



are manufactured of galvanized sheet steel

(RS)

The casings are equipped with an attractive and hardly inflammable plastic casing with integrated terminal box and vane.



Advantages of the plastic types compared to sheet steel types:

- lower noise level
- completely corrosion resistant
- easy installation with mounting brackets
- higher pressure and better efficiency through guide vane

Impellers:

The impellers are balanced together with the external rotor motors at two levels according to quality level G2.5/G6.3 to DIN ISO 21940-11.

Type R:

- 100-250 = backward curved centrifugal impeller made of plastic
- 250L-315M = backward curved centrifugal impeller made of galvanized sheet steel
- ab 355 = backward curved centrifugal impeller made of plastic

Type RS:

- 100-250L = backward curved centrifugal impeller made of plastic
- ab 315 = backward curved centrifugal impeller made of galvanized sheet steel

Motor and motor protection:

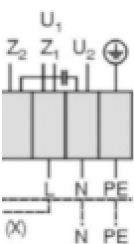
All Rosenberg fans are equipped with direct driven external rotor motors. All our fans have motor protection through thermal contacts in the motor windings as standard. The motors apply to protection class IP44/IP54.

The drive has due to an external rotor motor a space saving, compact and attractive design. The motor is fitted within the impeller, which enables the best possible cooling. For this reason a 100% variable speed control can be guaranteed. V-belts, additional tension bars and motor mounting devices are not necessary. Only well-dimensions ball-bearings, fitted on both sides and life time greased are used. Both ball-bearing seats are ground to high precision in one work process to eliminate any vibrations. External rotor motors have extremely low starting currents. The windings comply to isolation class F. In addition the windings have a standard moisture impregnation.

UL-Permit:

For 60Hz Types (possible on request)

Electrical connection:



al connection is mounted on the housing by a terminal box with IP54 protection.

al connection is mounted on the housing by a terminal box with IP44 protection.

Installation:

Rigid, folded spiral-seam ducts (Spiro), flexible aluminium or plastic ducts with standardized diameter can be used.



Air volume control:

For more information see accessories!

ERP-Reference (only inside the EU):

Please note the directives 1253/2014/EU (Lot 6) applying from 01.01.2016 for the ventilation units (ventilation fans). Keyword: „Multi-stage drive“ (at least 3 fixed speeds, as well as speed 0 („off“)). Suitable control and regulation devices are available as accessories.

5-speed control

230V = RE / RTE

Infinietly variable control (except R355L)

230V = ED

Scope of delivery:

Type R:

- Tube fan (R)
- Documentation

Type RS:

- Tube fan (RS)
- Mounting bracket
- Documentation

Important notes:

Air performance curves:

The air performance curves have been established using the intake test method in the test chamber according to DIN EN ISO 5801. They show pressure increase as a function of the volume flow. Performance curves were recorded in installation type D.

Sound levels:

The tests and their performance curves were conducted according to DIN 45635 part 38 or. ISO 133347-3 and DIN EN ISO 3744/ 3745 in accordance with the envelope surface method.

Erp-Information:

Rosenberg fans have a spezfic (pressure-) ratio < 1,05 (pressure < 5000 Pa).

Service life:

For maximum service life of Rosenberg products please beware of the maintenance hints on the manual for each product type.

Technical data presentation:

The performance data shown represent the accuracy class 2 according to DIN 24166.

Recycling and disposal:

For recycling and disposal of Rosenberg products comply with applicable locally requirements and regulations.
