



Characteristics

KleenBox

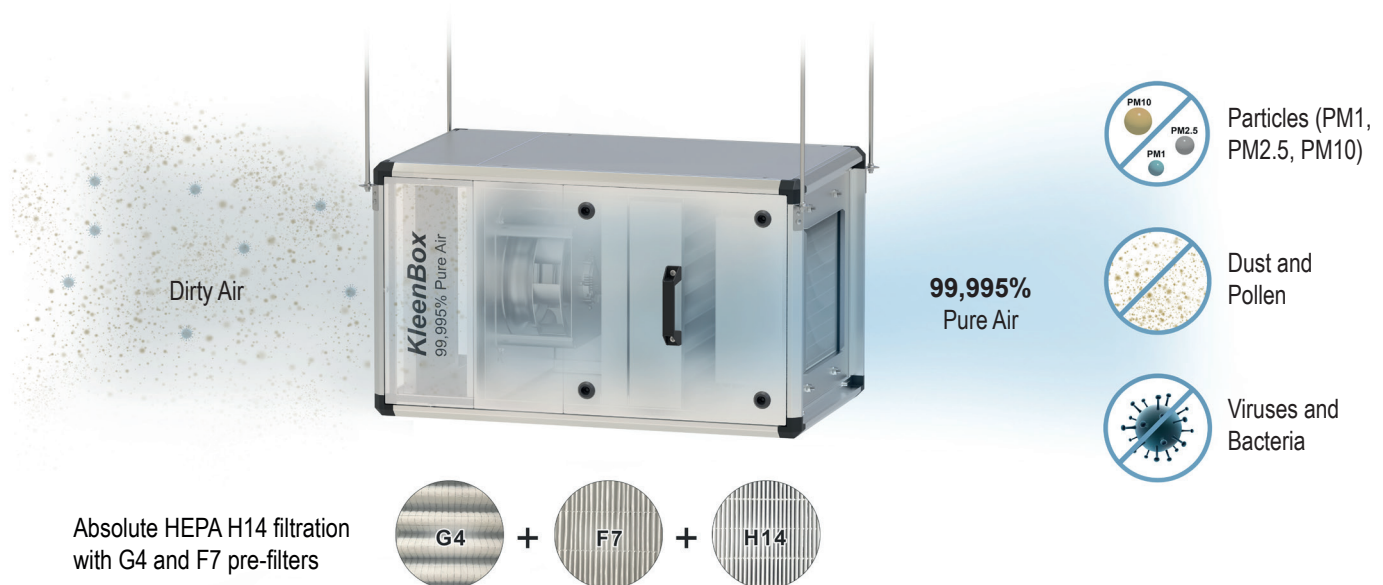
99,995% Pure Air



- High efficiency air filtration and purification unit with three filtration stages:
 - G4 (ZLM) pre-filter according to EN779 standard
 - F7 intermediate filter according to EN779 standard
 - H14 absolute filter with 99.995% efficiency according to EN1822 standard and sealed with polyurethane for 100% air filtration
- The continuous recirculation of the indoor air through the three filtration stages guarantees the purification of the air by eliminating particles and pollutants such as: dust, pollen, spores, bacteria, viruses and fine particles PM10, PM2.5 and PM1. Upon request, it can incorporate an activated carbon filter to eliminate gases and odours.
- Structure with soundproofed aluminum profile with galvanized steel sandwich panels with 25mm of fiberglass acoustic insulation and sound attenuator at the fan inlet that absorbs 55% of the noise according to EN12086 standard. Easy access service panel for filter replacement.
- Backward blade fan with high efficiency and very low consumption external rotor EC motor, electronically adjustable 0-100% via 0-10V.
- Mural regulator with ON / OFF switch, potentiometer for gradual stepless regulation of the air flow 0-100% and visual indicator for dirty filter alarm by differential pressure switch.
- Prepared for installation in ducts inside the false ceiling.

Specifications

Model	Airflow m ³ /h	Fan Power (230Vx1) W	Fan Current (230Vx1) A	Weight kg
KLEENBOX 46/46 EC	550	266	1,19	38
KLEENBOX 46/76 EC	650	266	1,19	45
KLEENBOX 76/76 EC	750	222	0,99	55



Absolute HEPA H14 filtration with G4 and F7 pre-filters



Boxes with 25mm thick fiberglass insulation

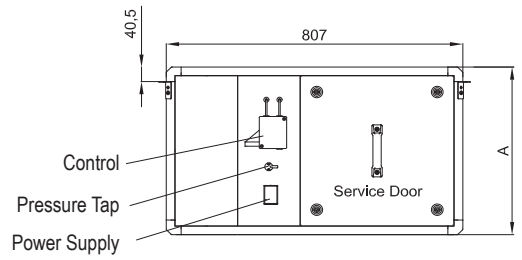
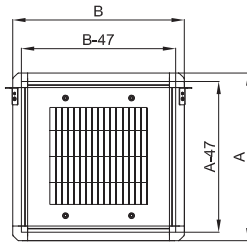
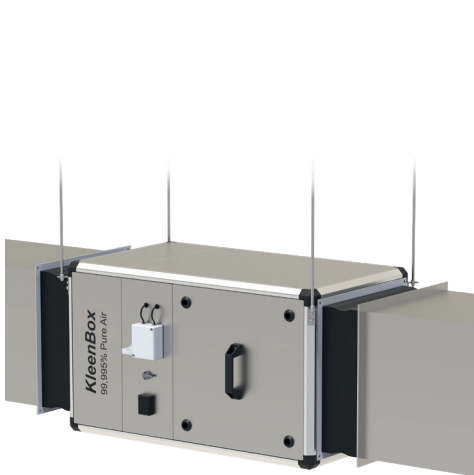


Potentiometer with ON / OFF switch

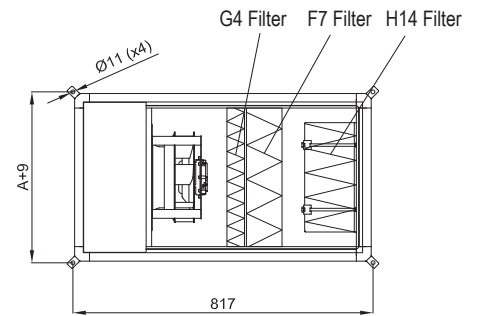


Dimensions

Ceiling installation with hanging brackets



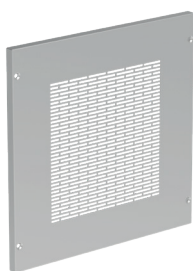
Model	A	B
KleenBox 46/46	467	467
KleenBox 46/76	467	767
KleenBox 76/76	767	767



Complete range to satisfy all requirements



Accessories



Safety Grille



Flexible Joint



Wheels