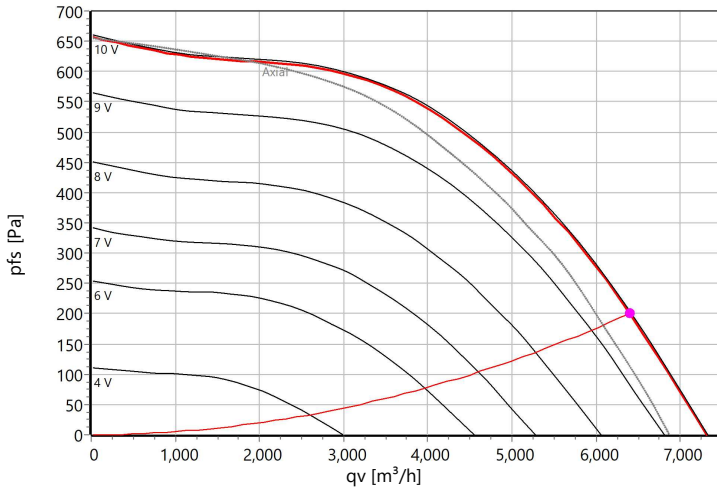


Type: **UNOR 67-450-G.5FA**
Part no.: F15-45015



Curve:



p: 1.15 kg/m³; Data @ 230 V

Operating Point:

qv	6400	m³/h
pfs	200	Pa
pfD	4	Pa
ηed,fs	45	%
ηed,tot	46	%
Ped	0.795	kW
I	3.4	A
n	1545	r/min
LWA A,OUT	83	dB(A)
UC	9.6	V
v	2.55	m/s
SFP	448	Ws/m³
FEI	1.5	
tR, OP	50	°C

ErP-Data:

(EU) Nr. 1253/2014	(Lot6)	
qv	4933	m³/h
pfs	445	Pa
ηfs	59.9	%
Ped	1.02	kW
n	1550	r/min
N	60	
v	1.97	m/s
ηfs Lot11	60.5	%

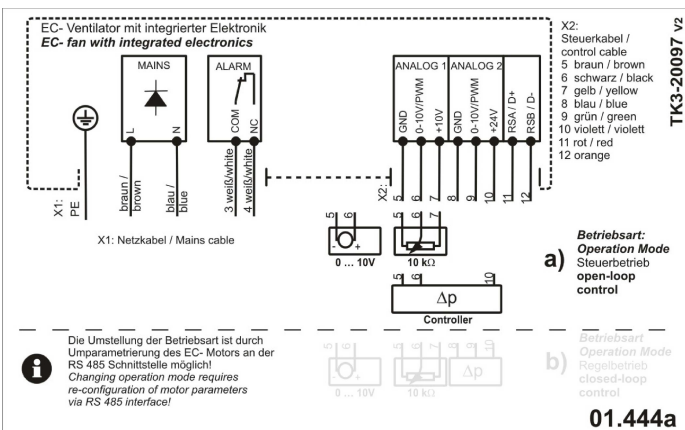
Nominal Data:

U [V]	f [Hz]	Data @ [V]	Ped [kW]	IN [A]	nN [r/min]	tR [°C]	k10 [m²/s/h]	Eff.-Rating	IP	m [kg]
1~200-277	50/60	230	1.03	4.63	1550	-25 .. +40	200	IE4	IP 54	55

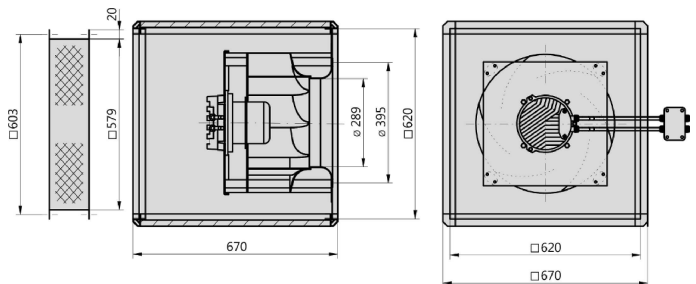
Sound Data:

Frequency	Σ	63Hz	125Hz	250Hz	500Hz	1kHz	2kHz	4kHz	8kHz	Distances	1 m	3 m
LwA(A,in) [dB(A)]	77	45	62	71	71	70	69	66	61	LpA(A,in) [dB(A)]	70	62
LwA(A,out) [dB(A)]	83	49	68	74	78	78	75	68	65	LpA(A,out) [dB(A)]	76	68
LwA(D,cas) [dB(A)]	61	41	56	58	50	48	46	41	29	LpA(D,cas) [dB(A)]	54	46

Wiring Diagram:



drawing:



performance curve at radial air flow