

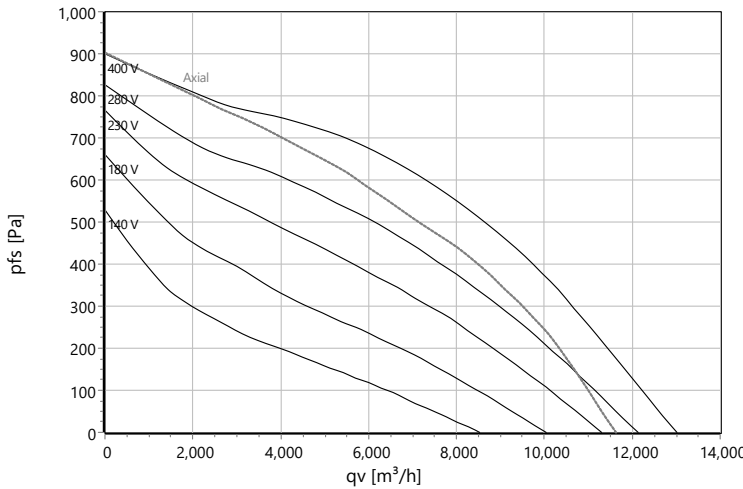


Type: **UNOR 80-560-4D.6LA**

Part no.: F08-56023



Curve:



p: 1.15 kg/m³

Nominal Data:

Δi 2.5 %

U [V]	f [Hz]	C [μF]	P _e [kW]	I _N [A]	n _N [r/min]	t _R [°C]	k ₁₀ [m²s/h]	I _A / I _N	IP	m [kg]
400 D	50	-	2.1	4.07	1340	-25 .. +50	309	4	IP 54	95

Sound Data:

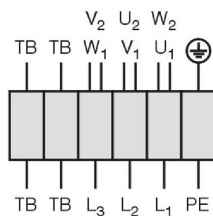
Frequency	Σ	125Hz	250Hz	500Hz	1kHz	2kHz	4kHz	8kHz	Distances	1 m	3 m
LwA(A,in) [dB(A)]	-5	-	-11	-5	-6	-7	-10	-14	LpA(A,in) [dB(A)]	-12	-22
LwA(A,out) [dB(A)]	-	-	-8	-6	-6	-6	-12	-17	LpA(A,out) [dB(A)]	-7	-17
LwA(D,cas) [dB(A)]	-17	-	-3	-4	-15	-15	-17	-24	LpA(D,cas) [dB(A)]	-24	-34

Wiring Diagram:

Drehstrommotor in Δ-Schaltung mit Thermostatschalter (TB).
Drehrichtungsänderung durch Vertauschen von 2 Phasen.

Three phase motor in delta connection with thermostatic switch (TB).
Changing of rotation direction by interchanging of 2 phases.

Moteur triphasé branché en triangle avec interrupteur thermostatique (TB).
Changement de sens de rotation par inversion de deux phases.

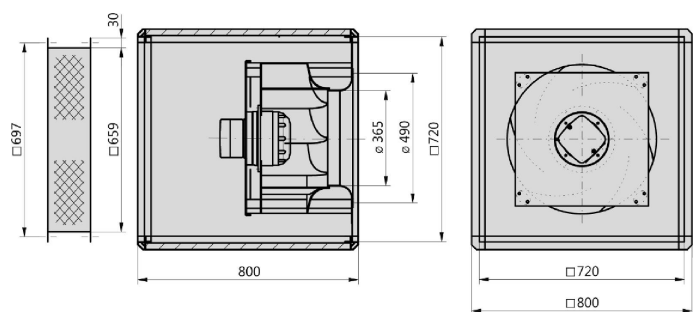


- U₁ braun / brown / brun
- V₁ blau / blue / bleu
- W₁ schwarz / black / noir
- U₂ rot / red / rouge
- V₂ grau / grey / gris
- W₂ orange / orange / orange
- TB weiß / white / blanc
- PE gelb-grün / yellow-green / jaune-vert

01.006

TK3-20004

Drawing:



performance curve at radial air flow